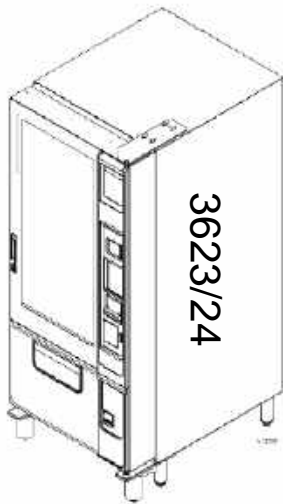


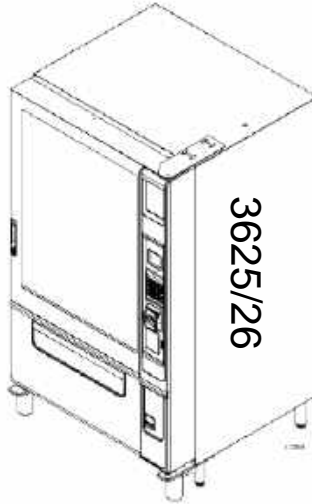


ST/VT/ELEVATOR/OUTDOOR

SINGLE/VARIABLE TEMP GLASSFRONT VENDOR



3623/24



3625/26

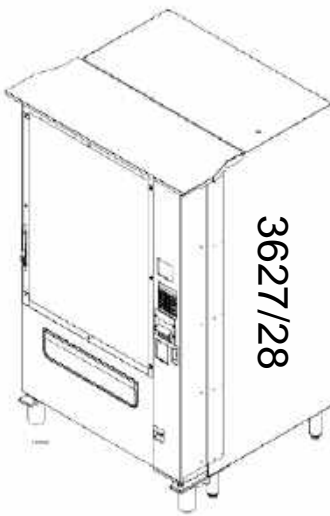
MODELS:

ST 3 – 3623, 3623A

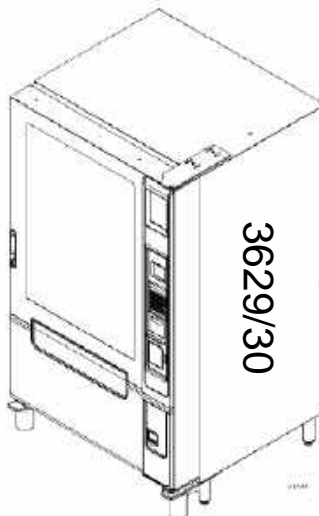
VT 3 – 3624, 3624A

ST 5 – 3625, 3625A

VT 5 – 3626, 3626A



3627/28



3629/30

ST OUTDOOR – 3627, 3627A

VT OUTDOOR – 3628, 3628A

ELEVATOR ST 5 – 3629, 3629A

ELEVATOR VT 5 – 3630, 3630A

VendNet™

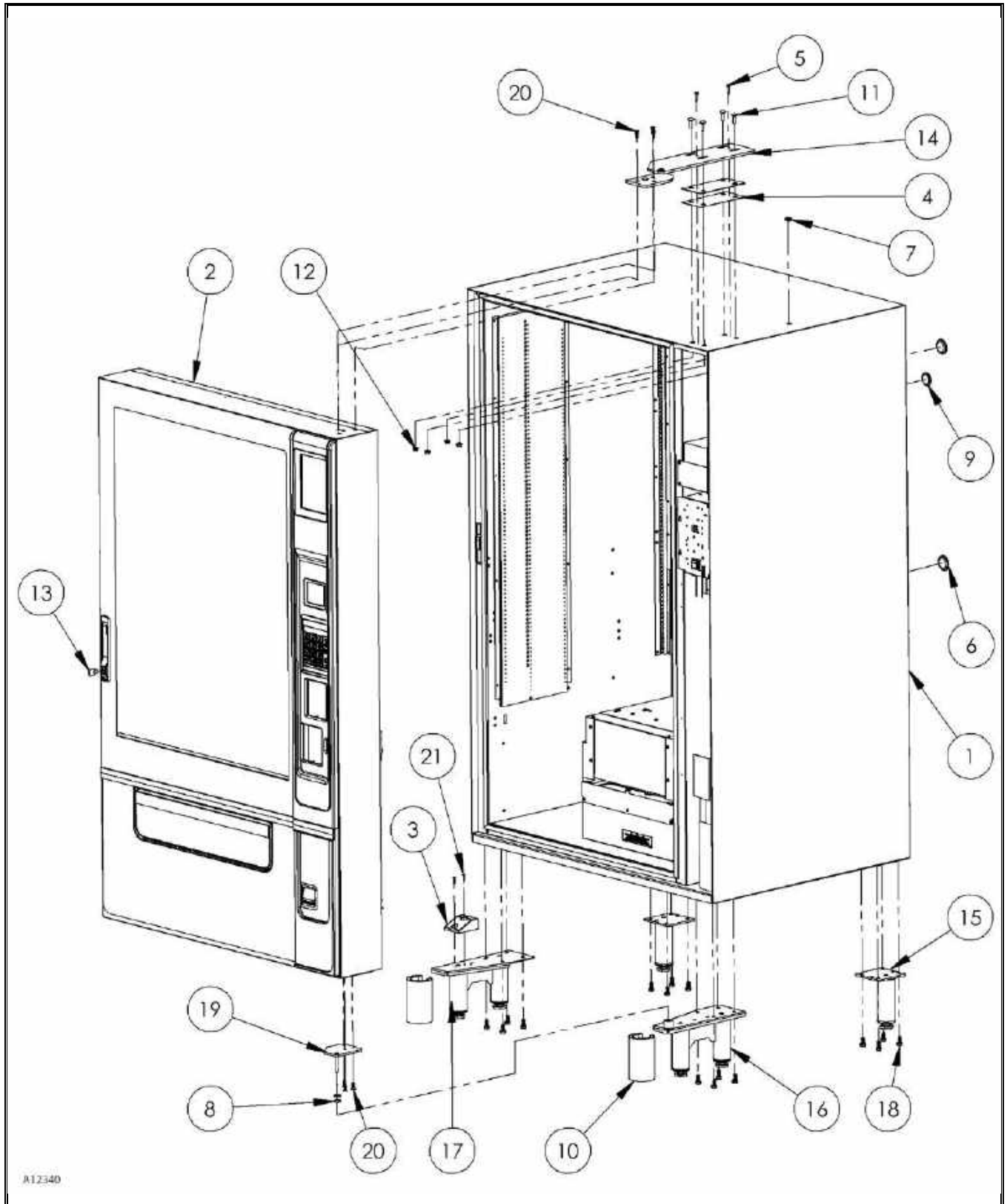
8040 University Boulevard
Des Moines, IOWA 50235
United States of America

PARTS MANUAL

TABLE OF CONTENTS

FINAL ASSEMBLY (3623, 3624, 3625, 3626)	1	ELEVATOR DOOR ASSEMBLY	42
<i>FINAL ASSEMBLY PARTS LIST</i>	2	<i>ELEVATOR DOOR ASSEMBLY PARTS LIST</i>	44
DOOR ASSEMBLY	3	ELEVATOR FRAME ASSEMBLY	47
<i>DOOR ASSEMBLY PARTS LIST</i>	5	<i>ELEVATOR SUB-ASSEMBLY PARTS LIST</i>	48
LED ASSEMBLY (24VDC)	8	ELEVATOR LED ASSEMBLY (24VDC)	49
<i>LED ASSEMBLY (WITH STRIP LED) PARTS LIST</i>	8	<i>LED ASSEMBLY (WITH STRIP LED) PARTS LIST</i>	49
POINT-OF-SALE ASSEMBLY (24VDC)	9	DELIVERY BUCKET ASSEMBLY	50
<i>POINT-OF-SALE ASSEMBLY (STRIP LED-24VDC) PARTS LIST</i>	9	<i>DELIVERY BUCKET ASSEMBLY PARTS LIST</i>	50
DELIVERY BOX ASSEMBLY WITH MECHANICAL LIFT	10	OPTICAL SENSOR ASSEMBLY	51
<i>DELIVERY BOX ASSEMBLY WITH LIFT PARTS LIST</i>	11	<i>OPTICAL SENSOR ASSEMBLY PARTS LIST</i>	51
COIN MECH MOUNT ASSEMBLY	13	ELEVATOR CABINET ASSEMBLY	52
<i>COIN MECH MOUNT ASSEMBLY PARTS LIST</i>	13	<i>ELEVATOR CABINET ASSEMBLY PARTS LIST</i>	53
COIN RETURN MECHANISM ASSEMBLY	14	METAL SNACK TRAY ASSEMBLY	56
<i>COIN RETURN MECHANISM ASSEMBLY PARTS LIST</i>	14	<i>METAL SNACK TRAY ASSEMBLY PARTS LIST</i>	57
CABINET ASSEMBLY	15	LED ASSEMBLY - LOUVER PANEL	58
<i>CABINET ASSEMBLY PARTS LIST</i>	16	<i>LED ASSEMBLY - LOUVER PANEL PARTS LIST</i>	58
CONNECTION BOX ASSEMBLY	18	ELEVATOR POWER BOX ASSEMBLY	59
<i>CONNECTION BOX ASSEMBLY (110VAC) PARTS LIST</i>	18	<i>ELEVATOR POWER BOX ASSEMBLY</i>	60
PLASTIC TRAY ASSEMBLY	19	BAFFLE ASSEMBLY	61
<i>PLASTIC TRAY ASSEMBLY PARTS LIST</i>	20	<i>BAFFLE ASSEMBLY PARTS LIST</i>	62
CAN & BOTTLE TRAY ASSEMBLY	21	SUPPLY DISPENSER	63
<i>CAN & BOTTLE TRAY ASSEMBLY PARTS LIST</i>	22	DOOR ASSEMBLY (SD5000-R/SD3000-R/SD5000-E)	65
HIGH CAPACITY CAN TRAY (HCCT) ASSEMBLY	23	<i>DOOR ASSEMBLY (SD5000-R/SD3000-R/SD5000-E) PARTS LIST</i>	66
<i>HCCT TRAY ASSEMBLY PARTS LIST</i>	24	NO LIFT/ADA DELIVERY BOX ASSEMBLY	67
PUSH-IT TRAY ASSEMBLY	25	<i>NO LIFT/ADA DELIVERY BOX ASSEMBLY PARTS LIST</i>	67
<i>PUSH-IT TRAY ASSEMBLY PARTS LIST</i>	26	TOOL RETURN OPTION	69
POWER BOX ASSEMBLY (110V & 220V)	27	<i>TOOL RETURN OPTION PARTS LIST</i>	69
<i>POWER BOX ASSEMBLY (110V & 220V) PART LIST</i>	28	FINGERPRINT READER OPTION	70
REFRIGERATION MODULE ASSEMBLY (110V & 220V)	29	<i>FINGERPRINT READER OPTION PARTS LIST</i>	70
<i>REFRIGERATION MODULE (110 & 220V) PARTS LIST</i>	30	BARCODE READER OPTION	71
REFRIGERATION BASE ASSEMBLY (110V & 220V)	32	<i>BARCODE READER OPTION PARTS LIST</i>	71
<i>REFRIGERATION BASE ASSEMBLY (110V & 220V) PARTS LIST</i>	33	MAGSTRIPE READER OPTION	72
CONDENSER FAN ASSEMBLY	34	<i>MAGSTRIPE READER OPTION PARTS LIST</i>	72
<i>CONDENSER FAN ASSEMBLY PARTS LIST</i>	34	SD5000-R W/10.1" TOUCHSCREEN	73
BARRIER ASSEMBLY	35	DOOR ASSEMBLY W/10.1" TOUCHSCREEN	74
<i>BARRIER ASSEMBLY PARTS LIST</i>	35	<i>DOOR ASSEMBLY W/10.1" TOUCHSCREEN PARTS LIST</i>	75
OUTDOOR FINAL ASSEMBLY (3627, 3628)	36	10.1" TOUCHSCREEN INSTALLATION	76
<i>OUTDOOR FINAL ASSEMBLY (MODEL: 3627, 3628) PARTS LIST</i>	36	<i>10.1" TOUCHSCREEN INSTALLATION PARTS LIST</i>	76
DOOR PACKAGE - OUTDOOR	37	10.1" TOUCHSCREEN ELECTRONICS PACKAGE	77
<i>OUTDOOR PACKAGE - DOOR ASSEMBLY PARTS LIST</i>	37	<i>10.1" TOUCHSCREEN ELECTRONICS PACKAGE PARTS LIST</i>	77
CABINET PACKAGE - OUTDOOR	39	OPTIONAL SPIRALS	78
<i>OUTDOOR PACKAGE - CABINET ASSEMBLY PARTS LIST</i>	39	OPTIONAL PRICE SCROLLS	79
ELEVATOR FINAL ASSEMBLY (3629, 3630)	40		
<i>ELEVATOR FINAL ASSEMBLY PARTS LIST</i>	41		

FINAL ASSEMBLY (3623, 3624, 3625, 3626)



A12340

* SPECIFY COLOR

AR AS REQUIRED

FINAL ASSEMBLY PARTS LIST

ITEM NO.	PART NUMBER	3625/ 3625A	3626/ 3626A	3623/ 3623A	3624/ 3624A	DESCRIPTION
1	SEE PAGE #15	1	1	1	1	CABINET ASSEMBLY
2	SEE PAGE #3	1	1	-	-	DOOR ASSEMBLY - EVOKE 5R
		-	-	1	1	DOOR ASSEMBLY - EVOKE 3R
3	4227466	1	1	1	1	DOOR RAMP/EVOKE R
4	4214306	2	2	2	2	TOP HINGE SHIM
5	4215175	2	2	2	2	#12-18 X 1" HEX WASHER HEAD TEK SCREW
6	7250135.000	2	2	2	2	HOLE PLUG – 1 3/8"
7	7250135.008	1	1	1	1	HOLE PLUG – 5/8"
8	4219752	2	2	2	2	.394 FLAT WASHER-NYLON
9	7250135.010	1	1	1	1	HOLE PLUG - 1 ¼"
10	4224812	2	2	2	2	SNAP-ON LEG COVER - 6"
11	8810013	4	4	4	4	5/16-18 X 1 CARR. BOLT
12	8810015	4	4	4	4	5/16-18 FLANGE LOCK NUT
13	4060330	1	1	1	1	LOCK CYLINDER W/2 KEYS
14	*1216660.000330	1	1	1	1	TOP HINGE WELD/BLACK
15	1220522	2	2	2	2	TUBULAR LEG WELD W/LEG LEVELER (4219208)
16	1221098.000330	1	1	1	1	OUTRIGGER WELD - RIGHT
17	1221098.001330	1	1	1	1	OUTRIGGER WELD - LEFT
18	8801388	16	16	16	16	5/16-18X3/4 HWH TYPE - 1
19	*1217994.000330	1	1	1	1	BOTTOM HINGE STAKE ASSEMBLY
20	4212089	6	6	6	6	1/4-20X3/4 SCKT FLAT C'SUNK
21	4212505	2	2	2	2	#8 X ¾" PHILLIPS PAN HEAD TEK SCREW

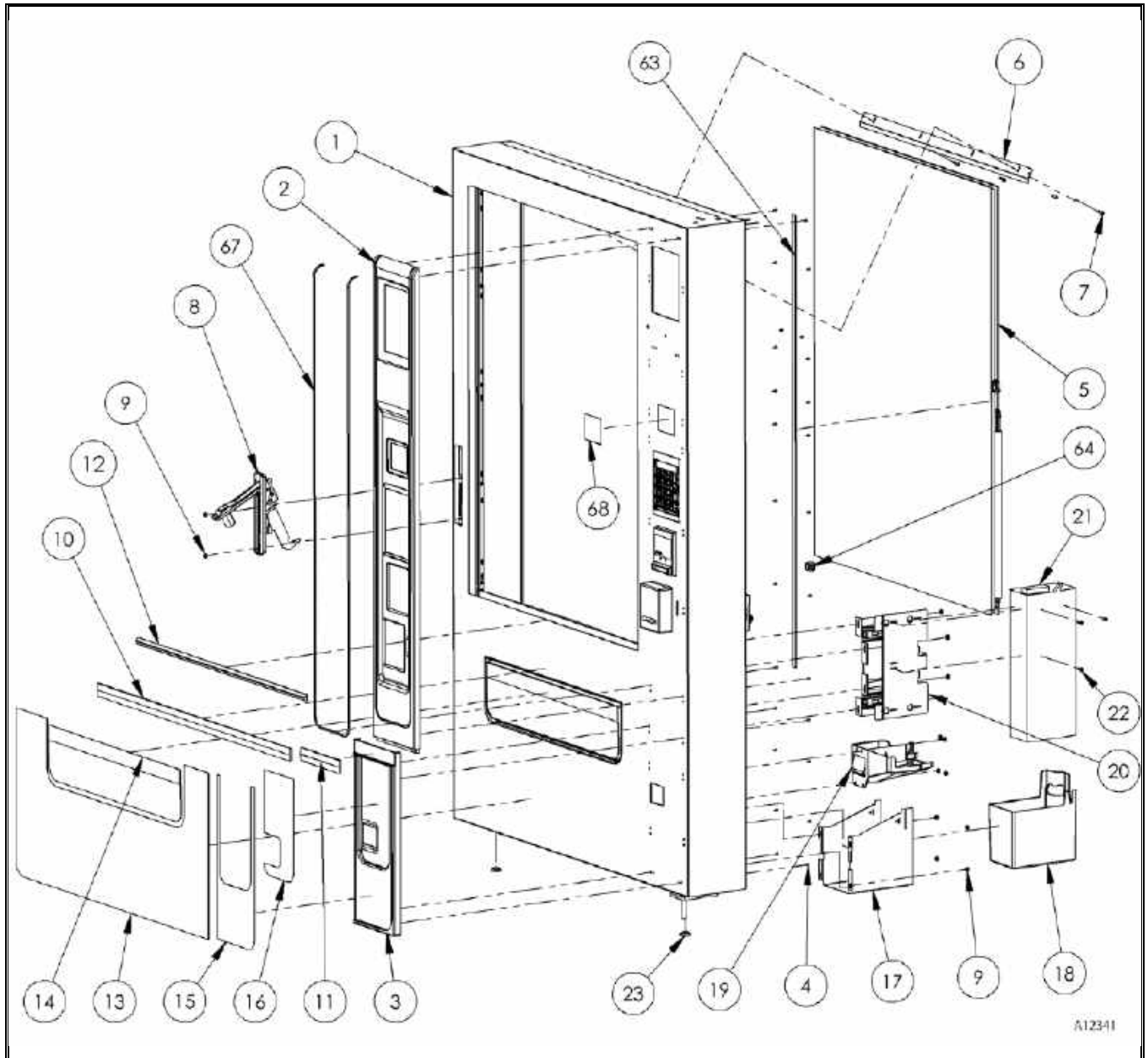
LIST OF PARTS NOT SHOWN

4213628	1	1	1	1	1	FERRITE BEAD SNAP FIT
---------	---	---	---	---	---	-----------------------

* SPECIFY COLOR

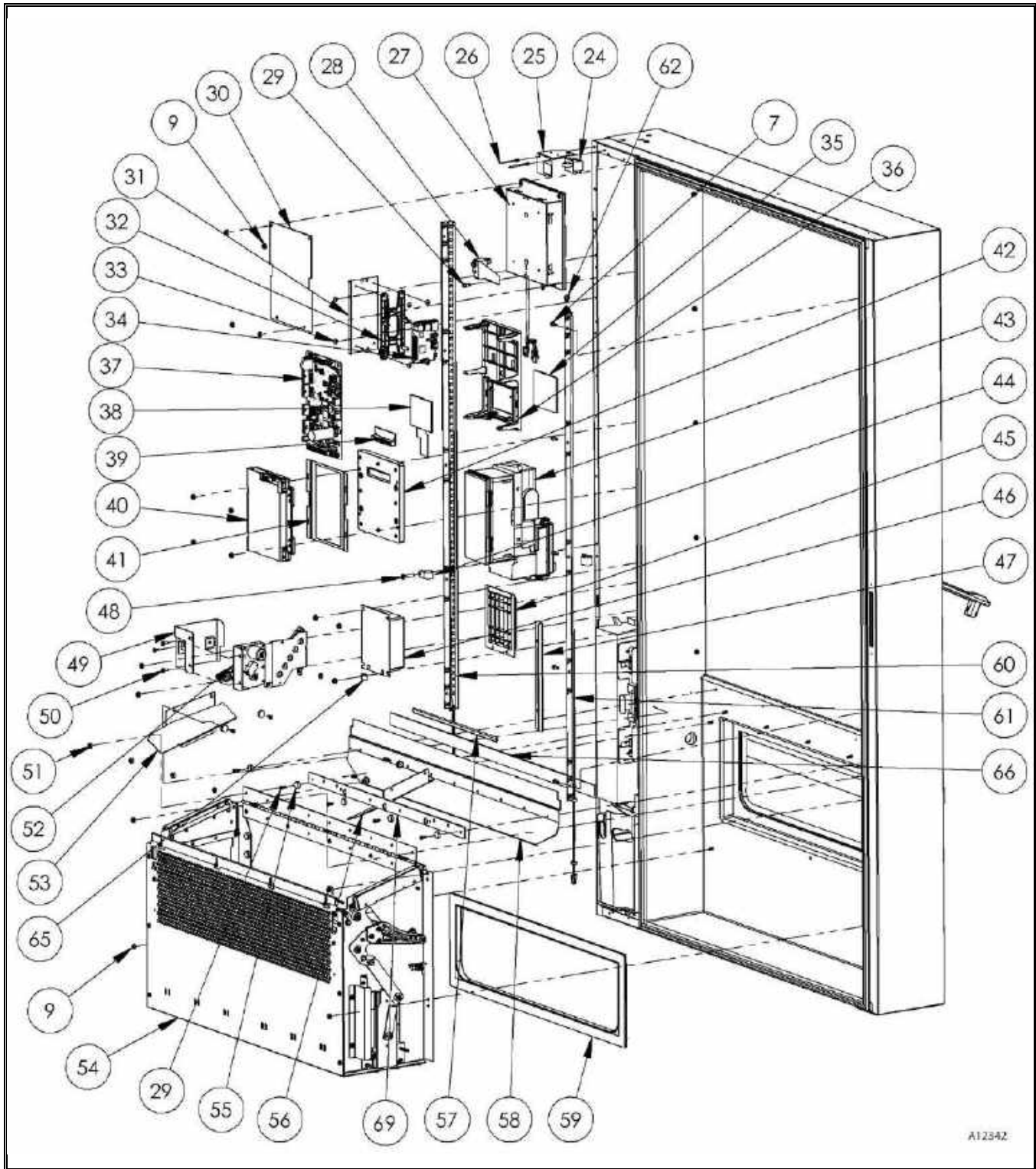
AR AS REQUIRED

DOOR ASSEMBLY



* SPECIFY COLOR

AR AS REQUIRED



A12342

* SPECIFY COLOR

AR AS REQUIRED

DOOR ASSEMBLY PARTS LIST

ITEM NO.	PART NUMBER	3625/ 3625A	3626/ 3626A	3623/ 3623A	3624/ 3624A	DESCRIPTION
1	* 1221096.401XXX	1	1	-	-	DOOR FOAM ASSEMBLY W/BEZEL – 5R
	* 1221096.403XXX	1	1	-	-	DOOR FOAM ASSEMBLY HI-SECURITY W/BEZEL – 5R
	* 1221168.401XXX	-	-	1	1	DOOR FOAM ASSEMBLY W/BEZEL – 3R
2	4227449	1	1	1	1	EVOKE STYLE BEZEL - TOP
3	4227450	1	1	1	1	EVOKE STYLE BEZEL - BOTTOM
4	4220189	27	27	27	27	#4 X ¼ PHIL PAN HEAD PLASTIC THREAD ROLLING SCREW
	1216062.482	-	-	1	1	GLASS REP KIT/3W SZ-DZ/115V 2P
	1216062.317	1	1	-	-	GLASS REP KIT/5W SZ-DZ/115V 2P
	1216062.483	-	-	1	1	GLASS REP KIT/3W SZ-DZ/115V 3P
	1216062.484	1	1	-	-	GLASS REP KIT/5W SZ-DZ/115V 3P
6	4228037.003330	-	-	1	1	TOP WINDOW GLASS RETAINER/3W
	4228037.005330	1	1	-	-	TOP WINDOW GLASS RETAINER/5W
7	4050202.001	AR	AR	AR	AR	#8 X ½" PHILLIPS HEX WASHER HEAD TEK SCREW
8	4218645	1	1	1	1	DOOR HANDLE
9	8800956	AR	AR	AR	AR	#8 HEX NUT W/EXT TOOTH LOCK WASHER
10	4214754.003	-	-	1	1	AL EXTRUSION TRIM - 3W
	4214754.005	1	1	-	-	AL EXTRUSION TRIM - 5W
11	4224754	1	1	1	1	AL EXTRUSION TRIM - BEZEL
12	4227627.003	-	-	1	1	GLASS FILLER TRIM – 3W
	4227627.005	1	1	-	-	GLASS FILLER TRIM – 5W
13	4227702	-	-	1	1	DECAL-BRUSHED AL/DOOR/EVOKE 3R
	4227551	1	1	-	-	DECAL- BRUSHED AL/DOOR/EVOKE 5R
	4227703	-	-	1	1	DECAL- BRUSHED AL/DELIVERY DOOR/EVOKE 3R
14	4227703.001	-	-	1	1	DECAL-BLACK/DELIVERY DOOR/EVOKE 3R
	4227552	1	1	-	-	DECAL- BRUSHED AL/DELIVERY DOOR/EVOKE 5R
	7227552.001	1	1	-	-	DECAL-BLACK/DELIVERY DOOR/EVOKE 5R
15	4227554	1	1	1	1	DECAL- BRUSHED AL/LOWER BEZEL
16	4227553	1	1	1	1	DECAL- BRUSHED AL/COIN RETURN
17	4227487.000330	1	1	1	1	COINBOX HOUSING - LARGE
18	4227650	1	1	1	1	COINBOX - LARGE
19	1218361	1	1	1	1	COINCUP ASSEMBLY
20	1218371	1	1	1	1	COIN MECHANISM MOUNT ASSEMBLY SEE PAGE #13
21	CONTACT VENDNET	OPT	OPT	OPT	OPT	COIN MECHANISM
22	8800636	AR	AR	AR	AR	#8 X ½" PHILLIPS PAN HEAD SHEETMETAL SCREW
23	7250135.003	2	2	2	2	HOLE PLUG – ¾"
24	4212621	1	1	1	1	DOOR SWITCH
25	4217588	1	1	1	1	DOOR SWITCH MOUNT
26	4050665	2	2	2	2	1/8X1/4 POP RIVET
27	SEE PAGE #9	OPT	OPT	OPT	OPT	POINT-OF-SALE ASSEMBLY
28	4227268	1	1	1	1	DEX & 3.5MM JACK MOUNT
29	4050180	1	1	1	1	#8 X ½" PHILLIPS PAN HEAD TEK SCREW

* SPECIFY COLOR

AR AS REQUIRED

ITEM NO.	PART NUMBER	3625/ 3625A	3626/ 3626A	3623/ 3623A	3624/ 3624A	DESCRIPTION
30	4227499.000330	1	1	1	1	POS FILLER
31	4227225.000330	1	1	1	1	RASPBERRY PI MOLDING MOUNT
32	4226628	1	1	1	1	RASPBERRY PI MOUNT
33	4223603.001	AR	AR	AR	AR	#8 X 1/4" PHILLIPS TRUSS HEAD SCREW TYPE T
34	4225084	1	1	1	1	RASPBERRY PI (SBC)
35	4226610	1	1	1	1	3.5" LCD DISPLY LENS
36	4226605	1	1	1	1	VMC BOARD MOUNT - FLEX
37	4224664	1	1	1	1	FLEX BOARD
38	4226754	1	1	1	1	3.5" COLOR DISPLAY
39	4226755	1	1	1	1	LCD 3.5" INTERFACE BOARD
40	1220884	1	1	1	1	7" FLEX TOUCHSCREEN ASSEMBLY
41	4227459.000330	1	1	1	1	7" TOUCHSCREEN FILLER
42	1221149	1	1	1	1	EVOKE KEYPAD ASSEMBLY
43	CONTACT VENDNET	OPT	OPT	OPT	OPT	BILL VALIDATOR
44	8324099.7	1	1	1	1	P CLAMP – 5/8"
45	4224794.002	AR	AR	AR	AR	PAYMENT BLANK
46	CONTACT VENDNET	OPT	OPT	OPT	OPT	CREDIT CARD READER
47	4218648.000330	1	1	1	1	LATCH TRIM PLATE
48	4050273	1	1	1	1	#8 X 1" PHILLIPS PAN HEAD MACHINE SCREW
49	4220349.001330	1	1	1	1	COVER-COIN RETURN MECHANISM
50	4050240	AR	AR	AR	AR	#8 X 3/8" PHILLIPS PAN HEAD MACHINE SCREW
51	4210384	AR	AR	AR	AR	#8 HEX NYLOCK NUT
52	SEE PAGE #14	1	1	1	1	COIN RETURN MECHANISM ASSEMBLY
53	4224800.000330	1	1	1	1	DELIVERY DEFLECTOR – HINGE SIDE
54	SEE PAGE #10	1	1	1	1	DELIVERY BOX ASSEMBLY
55	4215272	9	9	9	9	HINGED SCREW CAP
56	4224802.000330	1	1	1	1	DELIVERY DEFLECTOR – LOCK SIDE
57	4225222	2.5FT	2.5FT	1.5FT	1.5FT	EDGE TRIM
58	4224829.005330	1	1	-	-	BOTTOM WINDOW DEFLECTOR/5W
	4224829.003330	-	-	1	1	BOTTOM WINDOW DEFLECTOR/3W
59	1221122.005	1	1	-	-	DELIVERY BEZEL ASSEMBLY-5W
	1221122.003	-	-	1	1	DELIVERY BEZEL ASSEMBLY-5W
60	1221292.001	1	1	1	1	LED ASSEMBLY-24VDC/HINGE SIDE (SEE PAGE #8)
61	1221292	1	1	1	1	LED ASSEMBLY-24VDC/LOCK SIDE (SEE PAGE #8)
62	4033704	4	4	4	4	WIRE TIE
63	4209845	AR	AR	AR	AR	PROTECTIVE WNDW SEAL/GASKET 1/2"
64	4220132	1	1	1	1	WIRE/TUBE CLAMP - 5/8" (STEEL – EPDM CUSHION)
65	8324099.4	1	1	1	1	CLAMP – 5/8"
66	4215119.001	2.5 FT	2.5 FT	2.5 FT	2.5 FT	1" X 1/8" THK FOAM TAPE
67	4224753	8 FT	8 FT	8 FT	8 FT	1/8 MATTE SILVER TRIM
68	4227631	1	1	1	1	DISPLAY LENS DECAL
69	4220266	2	2	2	2	DELIVERY DOOR HINGE SHIM

* SPECIFY COLOR

AR AS REQUIRED

ITEM NO.	PART NUMBER	3625/ 3625A	3626/ 3626A	3623/ 3623A	3624/ 3624A	DESCRIPTION
----------	-------------	----------------	----------------	----------------	----------------	-------------

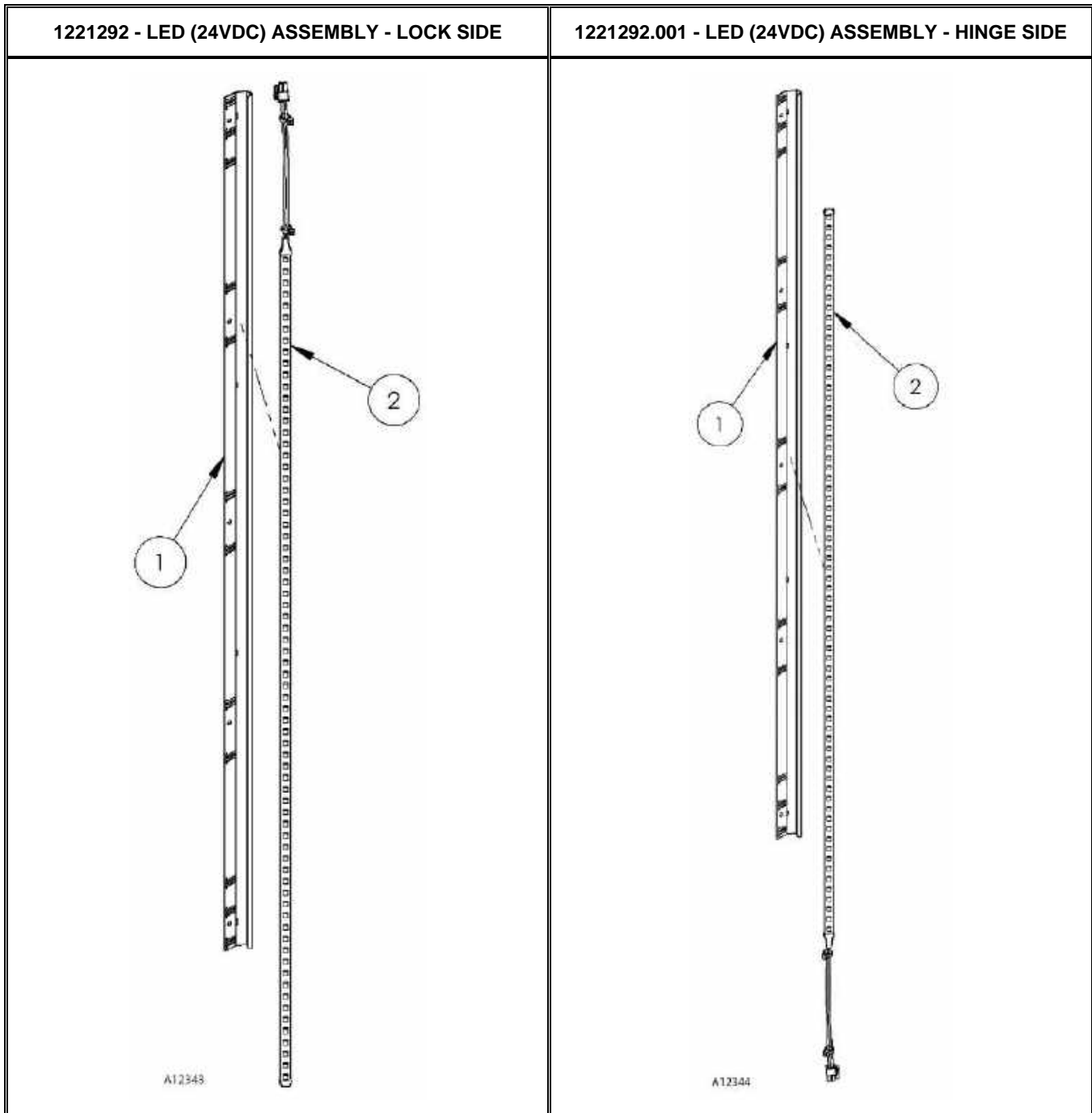
LIST OF PARTS NOT SHOWN

1211465.003		1	1	1	1	13" GROUND WIRE GR/YL
4214278		1	1	1	1	DEX HARNESS (GVC1 OR GVC2
4215373		1	1	1	1	DOOR SWITCH HARNESS 22"
4215471		1	1	1	1	MDB CABLE/GVC1
4216099.003		1	1	1	1	KEYPAD CABLE 13"
4226903		1	1	1	1	DISPLAY HARNESS-6IN
4226708		1	1	1	1	I-VEND EXTENSION CABLE
4225072		1	1	1	1	SBC SERIAL PORT HARNESS
4225195		1	1	1	1	SBC HDMI DISPLAY HARNESS
4226157.***		1	1	1	1	MICRO SD CARD-16GB - *** <i>SPECIFY IMAGE TYPE</i>
4227663		1	1	1	1	SBC/TS POWER HARNESS

* SPECIFY COLOR

AR AS REQUIRED

LED ASSEMBLY (24VDC)



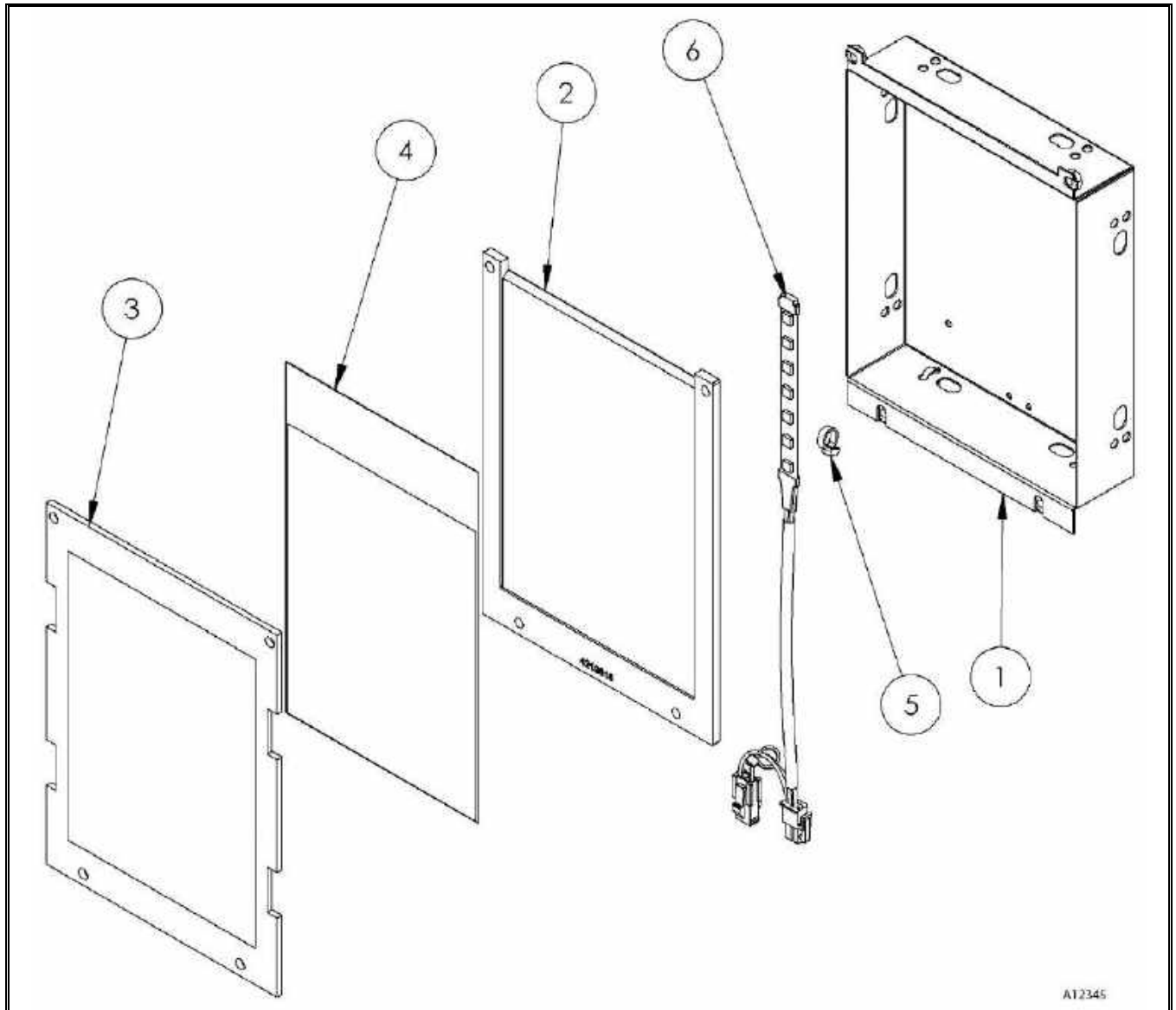
LED ASSEMBLY (WITH STRIP LED) PARTS LIST

ITEM NO.	PART NUMBER	3625 / 3625A 3626 / 3626A 3627 / 3627A 3628 / 3628A	3623 / 3623A 3624 / 3624A	DESCRIPTION
1	4220996.000309	2	1	LED MOUNT SIDE
2	4227875	2	1	LED STRIP – 24VDC

* SPECIFY COLOR

AR AS REQUIRED

POINT-OF-SALE ASSEMBLY (24VDC)



AT2345

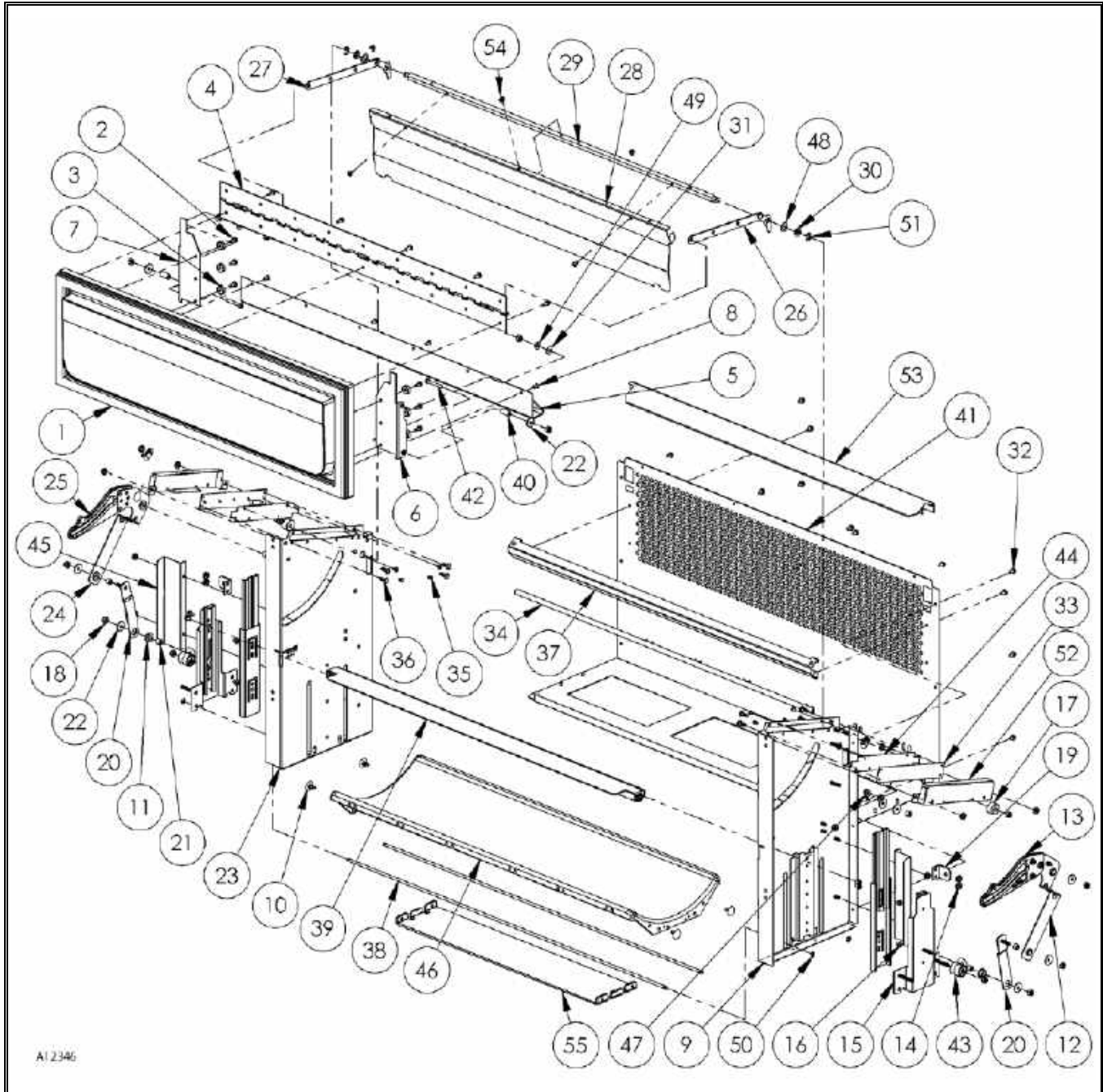
POINT-OF-SALE ASSEMBLY (STRIP LED-24VDC) PARTS LIST

ITEM NO.	PART NUMBER	3625 / 3625A 3626 / 3626A 3627 / 3627A 3628 / 3628A		DESCRIPTION
		3623 / 3623A 3624 / 3624A		
1	4219727.000306	1	1	LED MOUNTING COVER
2	4219728	1	1	ACRYLIC DISPLAY FRONT
3	4219815	1	1	PRINT HOLDER
4	4219832.XXX	1	1	DISPLAY PRINT (CONTACT WITTEN GRAPHIC DEPT.)
5	4033704	1	1	CABLE TIE
6	4225208.001	1	1	LED STRIP (24VDC) – 20"

* SPECIFY COLOR

AR AS REQUIRED

DELIVERY BOX ASSEMBLY WITH MECHANICAL LIFT



* SPECIFY COLOR

AR AS REQUIRED

DELIVERY BOX ASSEMBLY WITH LIFT PARTS LIST

ITEM NO.	PART NUMBER	3625 / 3625A 3626 / 3626A 3627 / 3627A 3628 / 3628A		3623 / 3623A 3624 / 3624A		DESCRIPTION
1	1221121.415	1	-			DEL DOOR FOAM ASSY/EVOKE 5R – BRUSH ALUM
	1221121.425	1	-			DEL DOOR FOAM ASSY/EVOKE 5R – BLACK
	1221121.413	-	1			DEL DOOR FOAM ASSY/EVOKE 3R – BRUSH ALUM
	1221121.423	-	1			DEL DOOR FOAM ASSY/EVOKE 3R – BLACK
2	4050239.001	11	11			8-32 x 3/8 PHILLIPS PAN HEAD SCREW TYPE 23
3	4215272	6	6			HINGED SCREW COVER
4	4218636.001	1	-			CONTINUOUS HINGE W/SPRING/5W
	4218894.001	-	1			CONTINUOUS HINGE W/SPRING/3W
5	4223605.005	1	1			DELIVERY DOOR ANTI-CHEAT/EXTRUSION/5W
	4223605.003	-	1			DELIVERY DOOR ANTI-CHEAT/EXTRUSION/3W
6	4223609.002330	1	1			DEL DOOR SIDE BRACKET STAKE ASSEMBLY/RH
7	4223609.003330	1	1			DEL DOOR SIDE BRACKET STAKE ASSEMBLY/LH
8	4223757	4	4			8-32 X 3/8" PHILLIPS UNDERCUT FH TYP 23 ZN
9	1219864.000330	1	1			DEL WRAPPER RH SIDE WELD/ALPINE
10	4223153	4	4			ARROW CLIP (Ø.625 X .100)
11	4223161	6	6			FLANGE BEARING-Ø5/16"
12	4223393.002	1	1			PIVOT LINK STAKE ASSEMBLY/RH
13	4223582	1	1			DOORLIFT CAM-RH
14	8800956	21	21			8-32 HEX NUT W/EXTERNAL TOOTH LOCK WASHER
15	1219581	2	2			SLIDE & FLOOR LIFT BRACKET WELD
16	4050212	4	4			8-32X1/4" PHILLIPS PAN HEAD SCREWS TYPE 23
17	4208230	2	2			BUMPER
18	4210384	16	16			#8 HEX NYLOCK NUT
19	4221640.001	2	2			FLOOR SPRING HOLDER STAKE ASSEMBLY
20	4223399.001	2	2			LINK FLOOR LIFT STAKE ASSEMBLY
21	4223585.250	6	6			ID.166XOD.312X.250L SPACER
22	4224192	12	12			WASHER .625OD X .175ID X .062
23	1219864.001330	1	1			DEL WRAPPER LH SIDE WELD/ALPINE
24	4223393.003	1	1			PIVOT LINK STAKE ASSEMBLY/LH
25	4223582.001	1	1			DOORLIFT CAM-LH
26	1219365.002	1	1			ANTI-CHEAT LINKAGE STAKE-LH
27	1219365.001	1	1			ANTI-CHEAT LINKAGE STAKE-RH
28	4223388.000330	1	-			DELIVERY ANTI-CHEAT BACK/5W
	4223786.000330	-	1			DELIVERY ANTI-CHEAT BACK/3W
29	4223391.005	1	-			DELIVERY SHAFT ALPINE-5W
	4223391.005	-	1			DELIVERY SHAFT ALPINE-3W
30	4025263.001	2	2			SNAP-IN NYLON BEARING
31	4030100.001	2	2			SPACER BUSHING
32	4050420.001	23	23			8-18X3/8 PHILLIPS PAN HEAD TY-A/BLK
33	4212464.010	1	1			DELIVERY SENSOR
34	4221985	2 FT	1.3 FT			D-GASKET

* SPECIFY COLOR

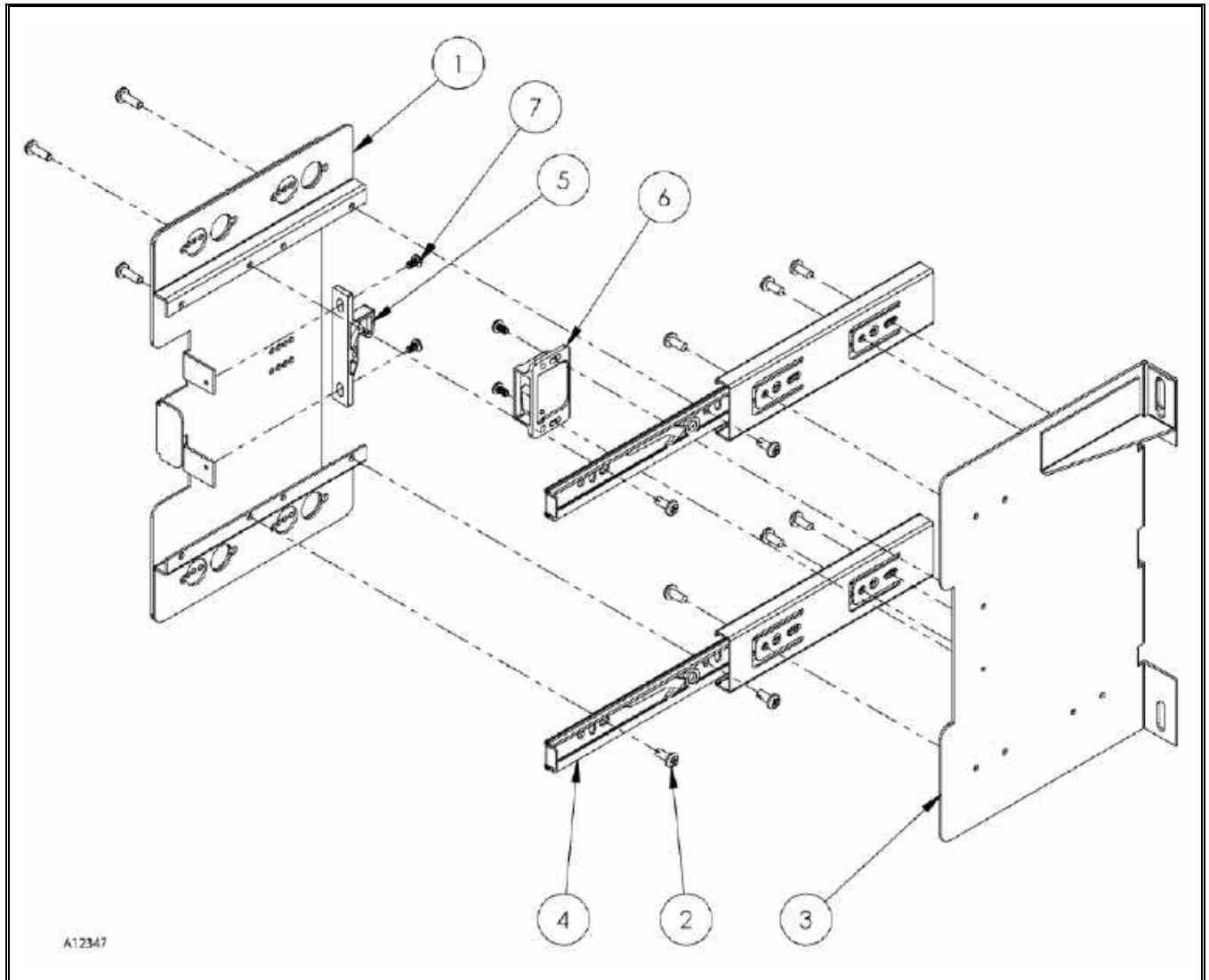
AR AS REQUIRED

ITEM NO.	PART NUMBER	3625 / 3625A 3626 / 3626A 3627 / 3627A 3628 / 3628A	3623 / 3623A 3624 / 3624A	DESCRIPTION
35	4215561.015	8	8	SNAP RIVET
36	4220025.001	8	8	STANDOFF-5/16"
37	4223396.005330	1	-	IVEND HARNESS COVER/5W
	4223396.003330	-	1	IVEND HARNESS COVER/3W
38	4223398.005	2	-	LIFT FLOOR ROD-Ø3/16"-5W
	4223398.003	-	2	LIFT FLOOR ROD-Ø3/16"-3W
39	4223405.005330	1	-	DOOR OPENING ANTICHEAT-5W
	4223405.003330	-	1	DOOR OPENING ANTICHEAT-3W
40	4223585.625	2	2	ID.166XOD.312X.625L SPACER
41	4224839.005330	1	-	DEL WRAPPER BACK-5W
	4224839.003330	-	1	DEL WRAPPER BACK-3W
42	4223756	2	2	8-32X1 1/4" PAN HEAD MS ZN
43	4223799.001	2	2	CF SPRING & SPOOL ASSEMBLY
44	4223902	2	2	I-VEND SENSOR LENS/ALPINE
45	4223947.000330	2	2	CF SPRING COVER
46	4224165.005	1	-	DELIVERY BOX FLOOR-5W
	4223779.003	-	1	DELIVERY BOX FLOOR-3W
47	8324099.1	3	3	3/8 x 3/16 CLAMP
48	8324353	2	2	5/16 ID FLAT WASHER
49	8801011	2	2	#8 FLAT WASHER
50	8801070	4	4	RETAINING RING - 3/16"
51	8801080	2	2	E-RING
52	4223946.000330	2	2	IVEND METAL COVER
53	4224840.005330	1	-	ANTI-CHEAT RAMP ADJUSTABLE-5W
	4224840.003330	-	1	ANTI-CHEAT RAMP ADJUSTABLE-3W
54	4223603.001	5	5	8-32 X 1/4 PHILLIPS TRUSS HEAD TYP 23 SCREW BLACK
55	4224115.000330	-	1	COUNTERBALANCE-FLOOR WEIGHT/3W

LIST OF PARTS NOT SHOWN

	4227643	1	1	LED POWER EXTENSION HARNESS
--	---------	---	---	-----------------------------

COIN MECH MOUNT ASSEMBLY



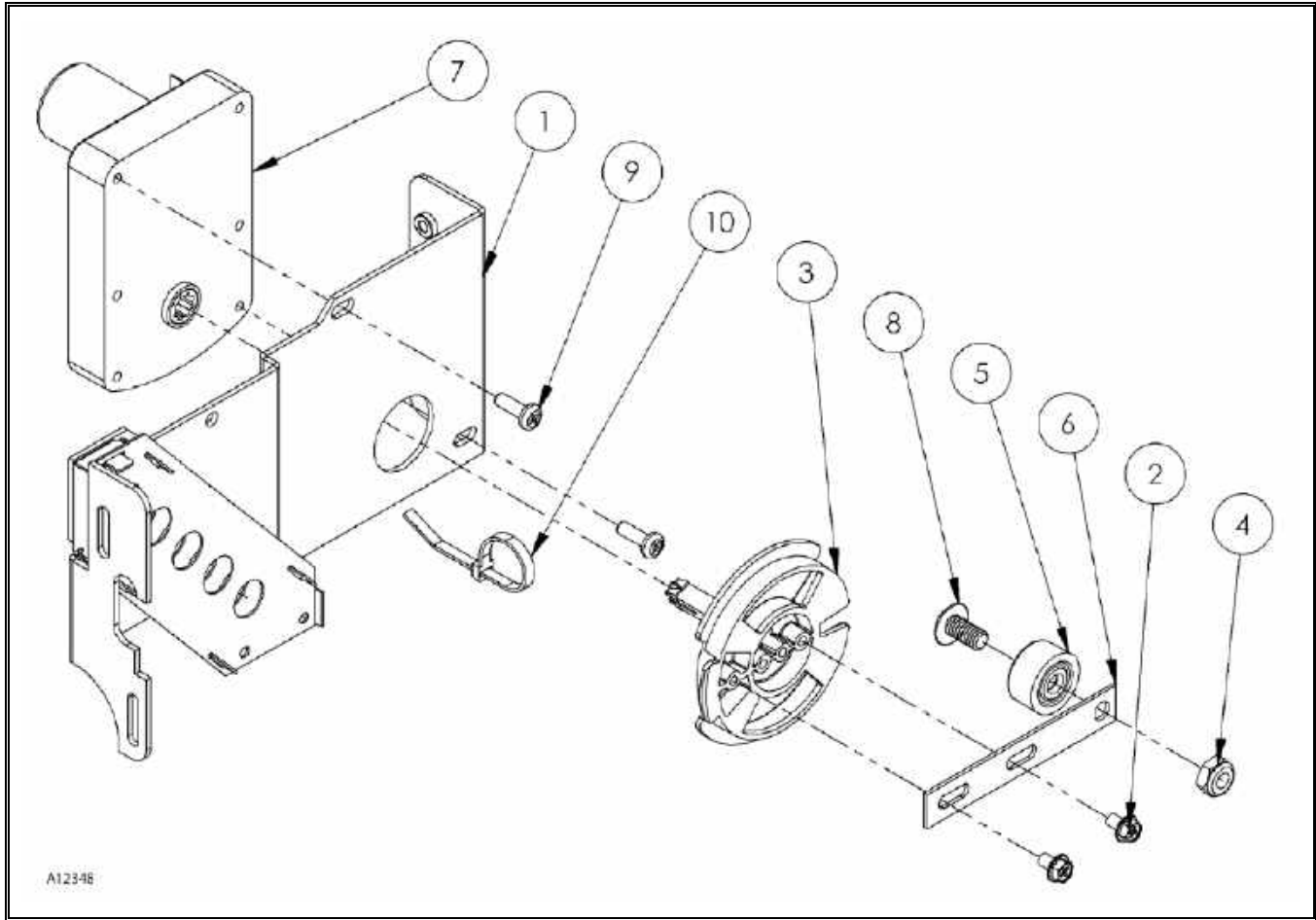
COIN MECH MOUNT ASSEMBLY PARTS LIST

ITEM NO.	PART NUMBER	3625 / 3625A 3626 / 3626A 3627 / 3627A 3628 / 3628A	3623 / 3623A 3624 / 3624A	DESCRIPTION
1	1218336.000330	1	1	COIN MECH MOUNT WELD
2	4050239	10	10	8-32X3/8 PHILLIPS PAN HEAD TY-T
3	1218548.000330	1	1	COIN MECH SLIDE MOUNT
4	4219619	2	2	6" ROLLER SLIDE
5	4219878.001	1	1	GRABBER CATCH LATCH
6	4219878.002	1	1	GRABBER CATCH KEEPER
7	7320289.000	4	4	6-32X1/4 PHILLIPS PAN HEAD THREAD ROLLING SCREWS

* SPECIFY COLOR

AR AS REQUIRED

COIN RETURN MECHANISM ASSEMBLY



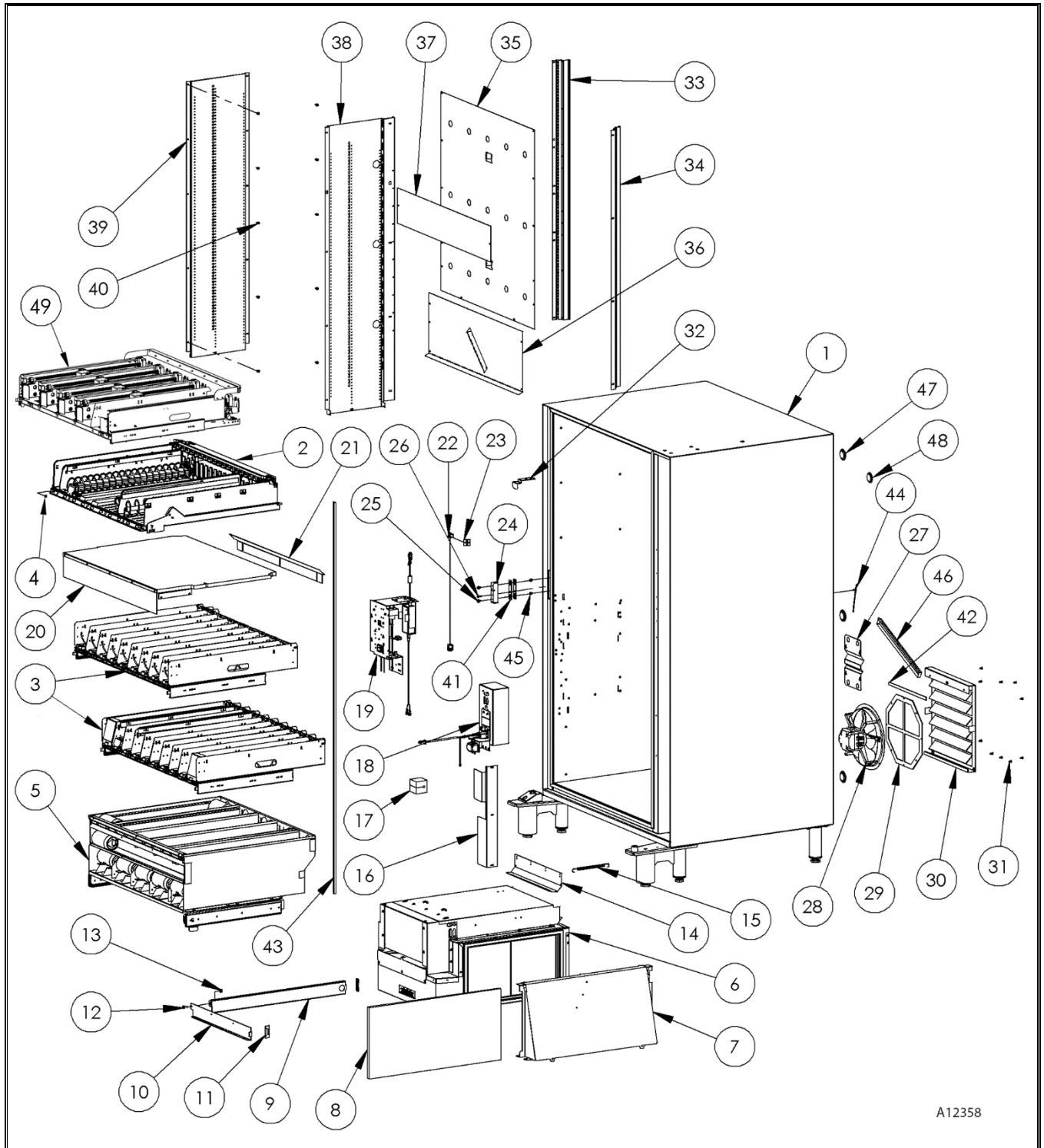
COIN RETURN MECHANISM ASSEMBLY PARTS LIST

ITEM NO.	PART NUMBER	3625 / 3625A 3626 / 3626A 3627 / 3627A 3628 / 3628A		DESCRIPTION
		3623 / 3623A 3624 / 3624A		
1	1218520.400	1	1	COIN CHUTE ASSEMBLY
2	4050420	2	2	8-18X1/4 PHILLIPS HWH TYP-
3	4216378	1	1	SPIRAL ADAPTER
4	4216407	1	1	1/4-20 NYLON INSERT NUT
5	4217738	1	1	BUSHING
6	4219355	1	1	COIN RETURN ROLLER MOUNT
7	4219909	1	1	MOTOR-24VDC/360/DS/SCREW
8	7200469.014	1	1	1/4-20X1/2 PHILLIPS RH MS
9	8800636	2	2	8-18X1/2 PHILLIPS PAN HEAD TYPE-B
10	4033704	1	1	CABLE TIE

* SPECIFY COLOR

AR AS REQUIRED

CABINET ASSEMBLY



A12358

* SPECIFY COLOR

AR AS REQUIRED

CABINET ASSEMBLY PARTS LIST

ITEM NO.	PART NUMBER	3625/ 3625A	3626/ 3626A	3623/ 3623A	3624/ 3624A	DESCRIPTION
1	*1221099.400XXX	1	1	-	-	CABINET FOAM ASSEMBLY/5W/BLACK
	*1221163.400XXX	-	-	1	1	CABINET FOAM ASSEMBLY/3W/BLACK
2	SEE PAGE #19	AR	AR	-	-	PLASTIC TRAY ASSEMBLY (5W)
		-	-	AR	AR	PLASTIC TRAY ASSEMBLY (3W)
3	SEE PAGE #21	AR	AR	-	-	CAN/BOTTLE TRAY 10 SELECTION
		AR	AR	-	-	CAN/BOTTLE TRAY 9 SELECTION
4	4223603.001	-	-	AR	AR	CAN & BOTTLE TRAY ASSEMBLY/3W
		AR	AR	AR	AR	#8 X 1/4" PHILLIPS TRUSS HEAD SCREW TYPE T
5	SEE PAGE #23	AR	AR	-	-	HCCT ASSEMBLY/5W 355ML(12OZ)
		-	-	AR	AR	HCCT ASSEMBLY/5W 375ML
		-	-	AR	AR	HCCT ASSEMBLY/3W 355ML(12OZ)
6	1221280					REFER MODULE-1/3HP/110VAC
	1221280.001					REFER MODULE-1/3HP/220VAC/50HZ
	1221280.002		AR			REFER MODULE-1/3HP/110VAC/HEATER
	1221280.003					REFER MODULE-1/3HP/230VAC 60HZ
	1221280.004					REFER MODULE-1/3HP/110VAC R513A
7	1217911.000330	1	1	1	1	INTAKE HOOD FILTER RACK
8	4227379	1	1	1	1	12 x 25 x 1/2" WASHABLE FILTER
9	4221776	1	1	1	1	SIDE REFER HOLD DOWN
10	4221775	1	1	1	1	FRONT REFER HOLD DOWN
11	4217512	2	2	2	2	REFER HOLD DOWN RETAINER
12	4217354	1	1	1	1	1/4-20 X 5/8 PHILLIPS PAN HEAD MACHINE SCREW
13	4050496	1	1	-	-	1/4-20 HEX 2 WAY LOCK NUT
14	4215799.000330	1	1	1	1	AIR BAFFLE BACK
15	8361468	1	1	1	1	SPRING BAR RETAINER
16	4220653.000330	1	1	1	1	COIN MECH PUSHER
17	4214006	2	2	2	2	HARNES INSUL BLOCK
		1	1	1	1	CONNECTION BOX ASSEMBLY/110VAC
18	SEE PAGE #18	1	1	1	1	CONNECTION BOX ASSEMBLY/220VAC
		1	1	1	1	POWER BOX ASSEMBLY/110VAC
19	SEE PAGE #27	1	1	1	1	POWER BOX ASSEMBLY/220VAC
		1	1	1	1	POWER BOX ASSEMBLY/220VAC
20	1221326	-	1	-	-	BARRIER ASSEMBLY-EVOKE DZ 5
	1221327	-	-	-	1	BARRIER ASSEMBLY-EVOKE DZ 3
21	4217386	1	1	-	-	AIR DEFLECTOR/5W
	4218901	-	-	1	1	AIR DEFLECTOR/3W
22	4214684	1	1	1	1	TEMPERATURE SENSOR
23	4219708	1	1	1	1	SENSOR MOUNT
24	1219189	1	1	1	1	LATCH MOUNT ASSEMBLY
25	8810035.001	2	2	2	2	#10-24X1" PHILLIPS TRUSS HEAD MACHINE SCREW
26	8810017	1	1	1	1	10-16 x 5/8 HEX WASHER HEAD TEK SCREW
27	4213448.000330	1	1	1	1	CONNECTION BOX COVER

* SPECIFY COLOR

AR AS REQUIRED

[SEE PAGE #29](#)

[SEE PAGE #35](#)

ITEM NO.	PART NUMBER	3625/ 3625A	3626/ 3626A	3623/ 3623A	3624/ 3624A	DESCRIPTION
28	1216861.004	1	1	1	1	CONDENSOR FAN ASSEMBLY/110VAC
	1216861.001	1	1	1	1	CONDENSOR FAN ASSEMBLY/220VAC
29	1219173	1	1	1	1	SCREEN WELD
30	4215819	1	1	1	1	BACK SCREEN COVER
31	8800638	6	6	6	6	10-16X3/8 PHILLIPS PAN HEAD SCREW TYPE-B
32	4217698	1	1	1	1	SWITCH ACTIVATOR
33	4227495	1	1	1	1	BACK RAIL SUPPORT – LH
34	4227494	1	1	1	1	BACK RAIL SUPPORT - RH
35	4217498.000330	1	-	-	-	SZ AIR BLOCK(5W)
	4218898.000330	-	-	1	-	SZ AIR BLOCK
36	4217496.000330	1	1	-	-	BOTTOM AIR BLOCK/5W
	4218899.000330	-	-	1	1	BOTTOM AIR BLOCK/3W
37	4217497.000330	-	1	-	-	MIDDLE AIR BLOCK/5W
	4218900.000330	-	-	-	1	MIDDLE AIR BLOCK/3W
38	4217338.000330	1	1	-	-	NO HIGH CAPACITY TRAY
	4221249.000330	-	-	1	1	
	4217395.000330	1	1	-	-	RAIL SUPPORT-RH
	4221271.000330	-	-	1	1	
	4217396.000330	1	1	-	-	TWO HIGH CAPACITY TRAYS
	4221272.000330	-	-	1	1	
39	4217339.000330	1	1	1	1	NO HIGH CAPACITY TRAY
	4217397.000330	1	1	1	1	RAIL SUPPORT-LH
	4217398.000330	1	1	1	1	TWO HIGH CAPACITY TRAYS
40	4050202.001		AR			#8 x 1/2 PHILLIPS HEX WASHER HEAD TEK SCREW
41	4225991	2	2	2	2	LATCH MOUNT SPACER
42	4209845	2.3 FT	2.3 FT	2.3 FT	2.3 FT	PROTECTIVE WINDOW SEAL 1/2"
43	4211555	5.5 FT	5.5 FT	5.5 FT	5.5 FT	BEVELED FOAM GASKET
44	4213784	1	1	1	1	PUSH BUTTON WIRE TIE
45	4215383	2	2	2	2	10-24 HEX NUT INSERT
46	4222434.000330	1	1	1	1	CONDENSER FAN HARNESS COVER
47	7250135.000	3	3	3	3	HOLE PLUG – Ø 1 3/8"
48	7250135.010	1	1	1	1	HOLE PLUG – Ø 1 1/4"
49	SEE PAGE #25	AR	AR	-	-	PUSH-IT TRAY ASSEMBLY

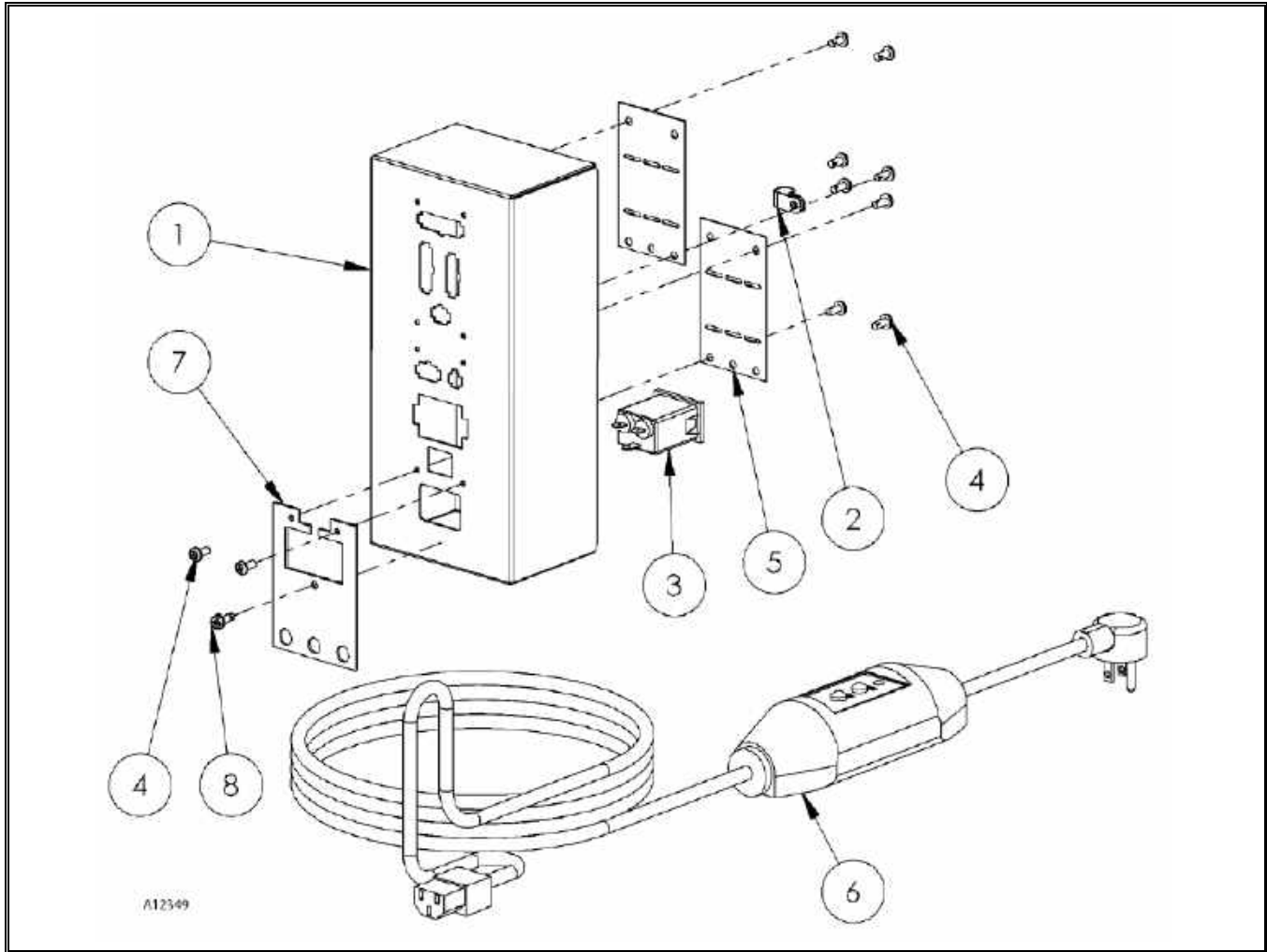
LIST OF PARTS NOT SHOWN

R.3994	AR	AR	AR	AR	SEAL-MASTIC PERMAGUM
4220399	1	1	1	1	POWER HARNESS
4227696	1	1	1	1	MAIN HARNESS – SZ/DZ
4220406	1	1	1	1	GROUND SYMBOL DECAL

* SPECIFY COLOR

AR AS REQUIRED

CONNECTION BOX ASSEMBLY



CONNECTION BOX ASSEMBLY (110VAC) PARTS LIST

ITEM NO.	PART NUMBER	3623 / 3624 / 3625 / 3626 / 3627 / 3628	3623A / 3624A / 3625A / 3626A / 3627A / 3628A	DESCRIPTION
		(110VAC)	(220VAC)	
1	4223404.000330	1	1	CONNECTION BOX
2	8324099.4	1	1	CLAMP - 3/8 X 3/8
3	4212490.002	1	1	RFI FILTER IEC SOCKET 15AMP
4	4050239.001	12	12	#8 x 3/8" PHILLIPS PAN HEAD SCREW TYPE T
5	4217384	2	2	CONNECTION BOX FILLER
6	4216016	1	-	GFCI POWER CORD
7	4220099	1	1	HARNESS SPRING MOUNT
8	4050202	1	1	#8 x 1/2 PHILLIPS HEX WASHER HEAD TEK SCREW

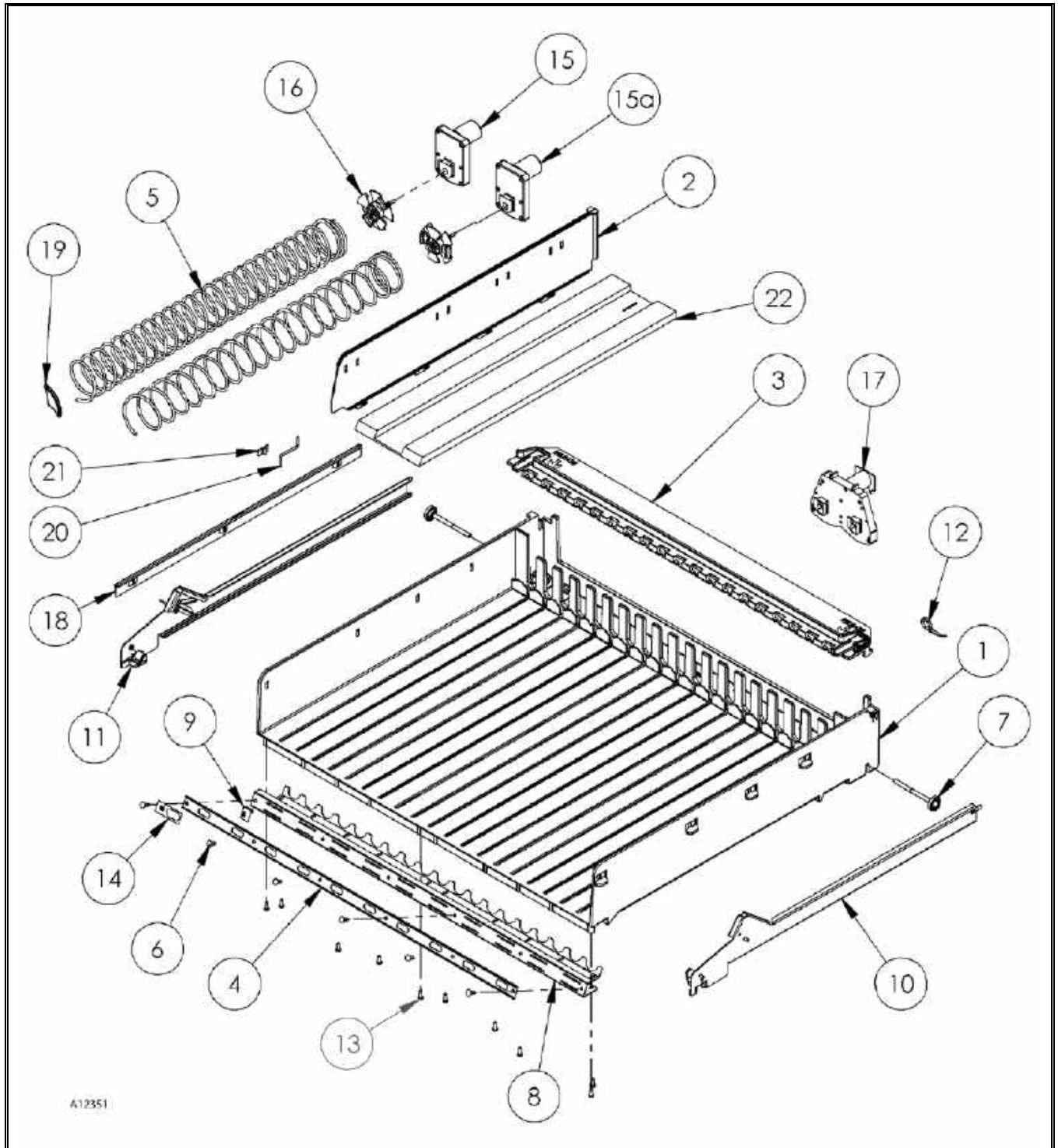
LIST OF PARTS NOT SHOWN

4220399	1	1	POWER HARNESS
4213759	-	1	POWER CORDS NON-GFCI

* SPECIFY COLOR

AR AS REQUIRED

PLASTIC TRAY ASSEMBLY



* SPECIFY COLOR

AR AS REQUIRED

PLASTIC TRAY ASSEMBLY PARTS LIST

ITEM NO.	PART NUMBER	3625 / 3625A / 3626 / 3626A / 3627 / 3627A / 3628 / 3628A	3623 / 3623A / 3624 / 3624A	DESCRIPTION
1	1219043.025	AR	-	5W TRAY (INCLUDES ITEM 3 & 7)
	1219043.023	-	AR	3W TRAY (INCLUDES ITEM 3 & 7)
2	4210732 .001	AR	AR	TRAY DIVIDER 5W TRAY
3	4210731.005	AR	-	MOTOR COVER 5W TRAY
	4210731.003	-	AR	MOTOR COVER 3W TRAY
4	4221359.005	AR	-	LABEL HOLDER 5W TRAY
	4221359.003	-	AR	LABEL HOLDER 3W TRAY
5	SEE PAGE #63	AR	AR	SPIRALS
6	4205329	AR	-	ARROW CLIP
7	4221188	AR	AR	ROLLER - 5W TRAY
8	4226220.000309	AR	-	TRAY FRONT – 5W
	4226324.000309	-	AR	TRAY FRONT – 3W
9	4222058	AR	AR	PRICE SCROLL - (PAIR 0.05-19.95)
	4224368	AR	AR	PRICE SCROLL - (PAIR 1-8, 100-900) - (OPTIONAL)
10	1215925	AR	AR	RAIL ASSEMBLY LONG RIGHT
11	1215925.001	AR	AR	RAIL ASSEMBLY LONG LEFT
12	4033712	AR	AR	CABLE TIE 7 3/8"
13	8801322	AR	AR	#8 X 1/2 " PHILLIPS PAN HEAD HI-LO SCREW
14	4218816	AR	AR	SELECTION SCROLL COVER
15	4034388	AR	AR	24 VDC MOTOR-360 DEGREE / CCW
15a	404388.002	AR	AR	24 VDC MOTOR-360 DEGREE / CW
16	4209502	AR	AR	AUGER COUPLING GRAY
17	4205436	AR	AR	DUAL HELIX MOTOR 24VDC
18	8370660.5	AR	AR	SPACER
19	4226049.12	AR	AR	PRODUCT PUSHER (12 PACK)
20	8370998	AR	AR	SUPPORT SPACER
21	4200281	AR	AR	SPRING CLIP
22	4200340	AR	AR	SPIRAL RETAINER

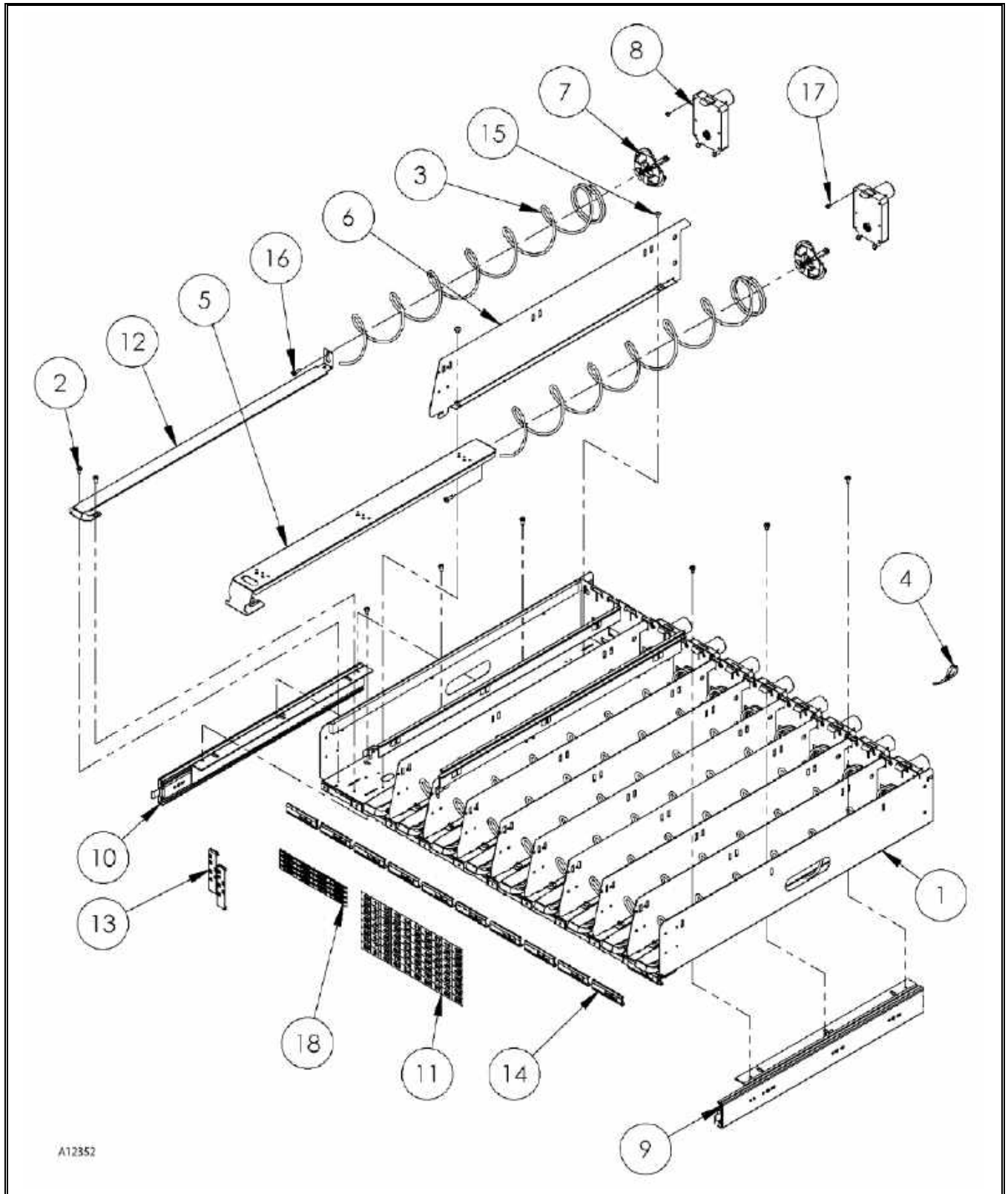
LIST OF PARTS NOT SHOWN

22	4222709.005	AR	-	TRAY HARNESS 5W
23	4222709.003	-	AR	TRAY HARNESS 3W

* SPECIFY COLOR

AR AS REQUIRED

CAN & BOTTLE TRAY ASSEMBLY



* SPECIFY COLOR

AR AS REQUIRED

CAN & BOTTLE TRAY ASSEMBLY PARTS LIST

ITEM NO.	PART NUMBER	3625 / 3625A / 3626 / 3626A / 3627 / 3627A / 3628 / 3628A	3623 / 3623A / 3624 / 3624A	DESCRIPTION
1	1219298.000330	AR	-	TRAY WELD (5W) (10 SELECTION)
	1219299.000330	AR	-	TRAY WELD (5W) (9 SELECTION)
	1219426.000330	-	AR	TRAY WELD (3W) (6 SELECTION)
2	4050423.001	AR	AR	8-18X 3/8" PHILLIPS PAN HEAD TY-A/BLACK SCREW
3	SEE PAGE #77	AR	AR	SPIRALS
4	4203509	AR	AR	CABLE TIE
5	4206251.000309	AR	AR	PRODUCT TRAY SPACER-BLACK
6	4224798.000330	AR	AR	TRAY DIVIDER
7	4216378	AR	AR	SPIRAL ADAPTER
8	4216379.004	AR	AR	MOTOR SNAP-IN 360 DEG CCW
9	4216381	AR	AR	ROLLER SLIDE RIGHT
10	4216381.001	AR	AR	ROLLER SLIDE LEFT
11	4226604	AR	AR	SELECTION# SET - 2 DIGIT
12	4218723.000330	AR	AR	RISER
13	4222058	AR	AR	PRICE SCROLL - (PAIR 0.05-19.95)
	4224368	AR	AR	PRICE SCROLL - (PAIR 1-8, 100-900) - (OPTIONAL)
14	4225808	AR	AR	SCROLL & LABEL HOLDER
15	4223603.001	AR	AR	8-32 X 1/4" PHILLIPS TRUSS HEAD TYP 23 SCREW
16	8800636	AR	AR	8-18X 1/2" PHILLIPS PAN HEAD TY-B SCREW
17	4225034	AR	AR	#6 x 1/4" PHILLIPS PAN HEAD PLASTIC THREAD ROLLING SCREW
18	4226153	AR	AR	PRESS SELECTION FOR PRICE/ENGL (16) (ENGLISH)
	4226153.001	AR	AR	PRESS SELECTION FOR PRICE/ENGL (16) (SPANISH)
	4226153.002	AR	AR	PRESS SELECTION FOR PRICE/ENGL (16) (FRENCH)

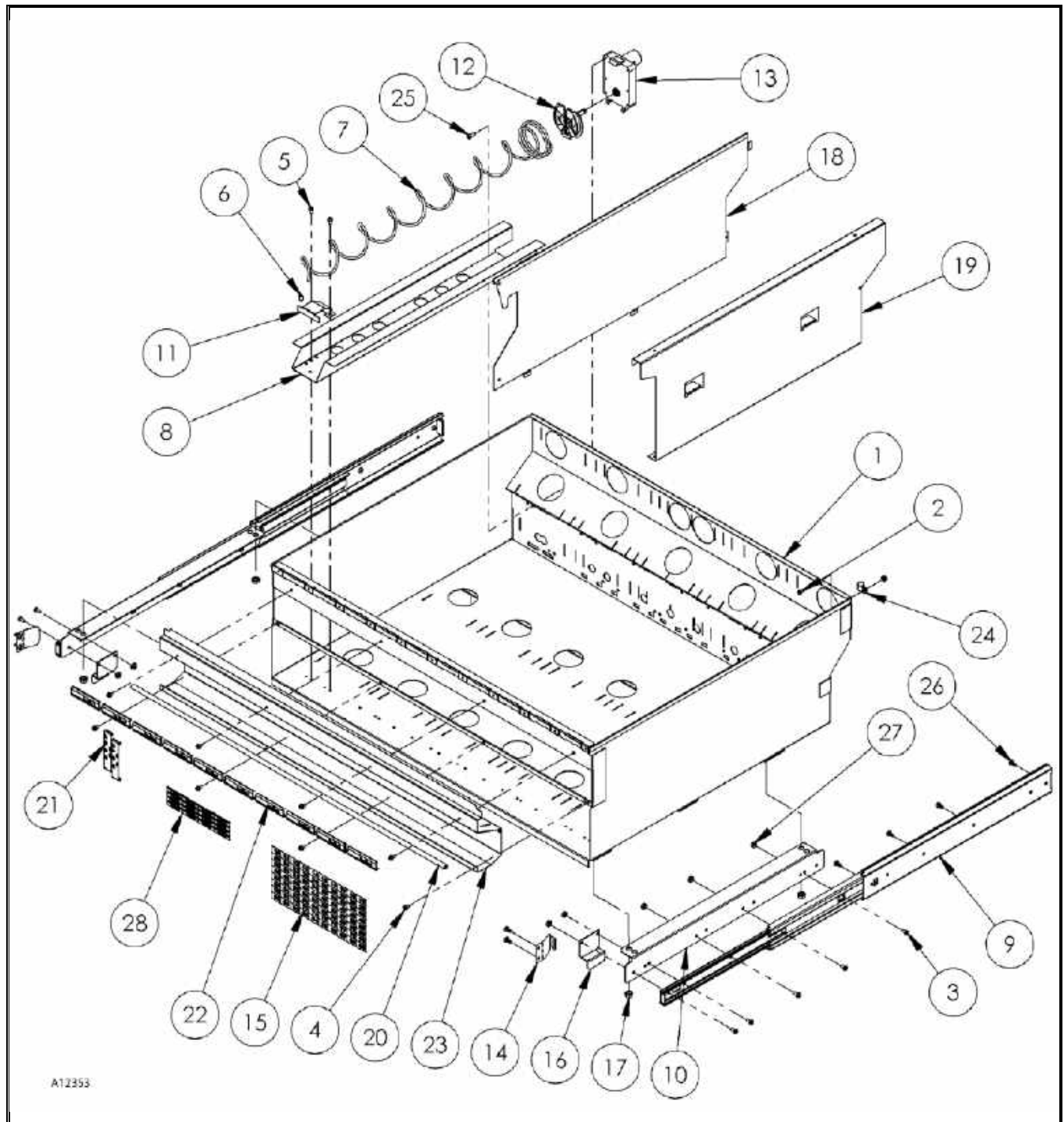
LIST OF PARTS NOT SHOWN

	4222709.005	AR	AR	TRAY HARNESS 5W
--	-------------	----	----	-----------------

* SPECIFY COLOR

AR AS REQUIRED

HIGH CAPACITY CAN TRAY (HCCT) ASSEMBLY



A12353

* SPECIFY COLOR

AR AS REQUIRED

HCCT TRAY ASSEMBLY PARTS LIST

ITEM NO.	PART NUMBER	3625 / 3625A / 3626 / 3626A / 3627 / 3627A / 3628 / 3628A	3623/3623A 3624/3624A	DESCRIPTION
1	1219417.000330	AR	-	HCC TRAY WELD (5W)
	1219418.000330	-	AR	HCC TRAY WELD (3W)
2	4050239	AR	AR	8-32 x 3/8 PHILLIPS PAN HEAD TYP 23
3	4050240	AR	AR	8-32 x .375 PHILLIPS PAN HEAD MS
4	4050420.001	AR	AR	8-18X3/8 PHILLIPS PAN HEAD TY-A/BLK
5	4050423.001	AR	AR	8-18 X 3/8 PHILLIPS PAN HEAD TY-A -BLACK
6	4050548.001	AR	AR	SCREW COVER
7	4214090.000309	AR	AR	HCT SPIRAL
8	4214092.000330	AR	AR	SPIRAL RETAINER
9	4214233	AR	AR	DRAWER SLIDE
10	4214234.000330	AR	AR	DRAWER SLIDE BRACE
11	4214910.000330	AR	AR	SPIRAL LIFT
12	4216378	AR	AR	SPIRAL ADAPTER
13	4216379.004	AR	AR	MOTOR ASSEMBLY
14	4216787	AR	AR	HCT LATCH
15	4226604	AR	AR	SELECTION IDENTIFICATION SHEET
16	4216788.000330	AR	AR	HCCT STOPPER MOUNT
17	8800959	AR	AR	1/4-20 HEX NUT W/ETW
18	4218971.000330	AR	AR	HCT DIVIDER
19	4219957.000330	AR	AR	HCCT 375ml FILLER
20	4221985	AR	AR	"D" GASKET
21	4222058	AR	AR	PRICE SCROLL - (PAIR 0.05-19.95)
	4224368	AR	AR	PRICE SCROLL - (PAIR 1-8, 100-900) - (OPTIONAL)
22	4225808	AR	AR	SCROLL & LABEL HOLDER
23	4223500.000330	AR	-	HCCT DISPLAY BRACE/5W
	4223502.000330	-	AR	HCCT DISPLAY BRACE/3W
24	8324099.4	AR	AR	3/8 x 3/8 CLAMP
25	4220174	AR	AR	#8 x 5/16" PHILLIPS PAN HEAD PTRS ZN
26	8800638	AR	AR	10-16 x 3/8 PHILLIPS PAN HEAD TYPE
27	8800956	AR	AR	8-32 HEX NUT W/ETW
28	4226153.001	AR	AR	PRESS SELECTION FOR PRICE/ENGL (16) (SPANISH)
	4226153.002	AR	AR	PRESS SELECTION FOR PRICE/ENGL (16) (FRENCH)
	4226153.001	AR	AR	PRESS SELECTION FOR PRICE/ENGL (16) (SPANISH)

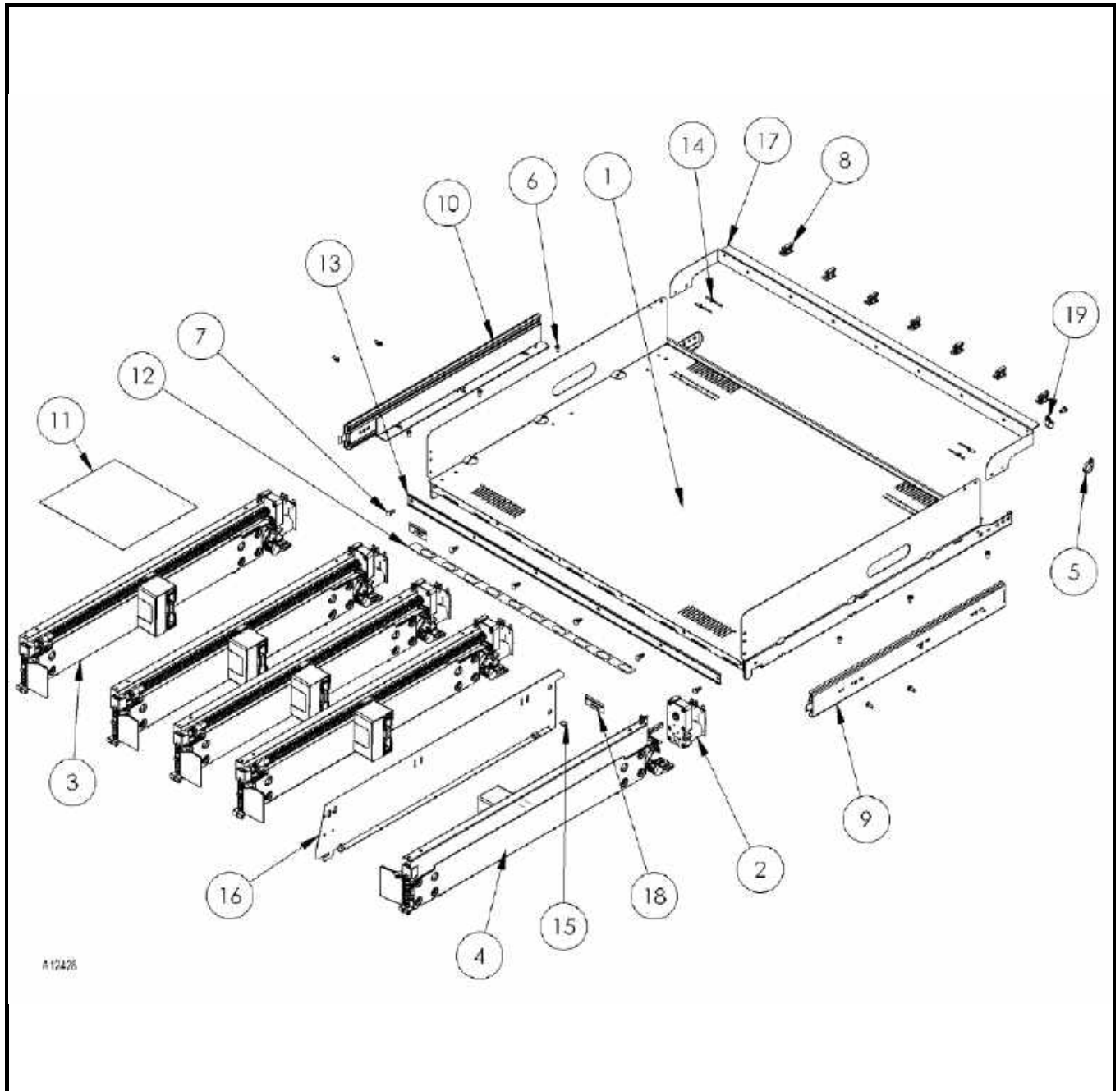
LIST OF PARTS NOT SHOWN

4215985	AR	AR	TRAY HARNESS - CAN MECHANISM
---------	----	----	------------------------------

* SPECIFY COLOR

AR AS REQUIRED

PUSH-IT TRAY ASSEMBLY



* SPECIFY COLOR

AR AS REQUIRED

PUSH-IT TRAY ASSEMBLY PARTS LIST

ITEM NO.	PART NUMBER	3625 / 3625A / 3626 / 3626A / 3627 / 3627A / 3628 / 3628A	3629/3629A 3630/3630A	DESCRIPTION
1	1219568.000330	AR	AR	TRAY WELD PUSH-IT – 5W
2	1219785	AR	AR	MOTOR ASSEMBLY
3	1220444.001	AR	AR	PUSH-IT LEFT W/MOTOR
4	1220444.003	AR	AR	PUSH-IT RIGHT W/MOTOR
5	4033712	AR	AR	CABLE TIE 7 3/8"
6	4050239.001	AR	AR	8-32X3/8 PHL PH TY-23
7	4205329	AR	AR	ARROW CLIP
8	4216313	AR	AR	SADDLE CLAMP
9	4216381	AR	AR	ROLLER SLIDE/LEFT
10	4216381.001	AR	AR	ROLLER SLIDE/RIGHT
11	4217265	AR	AR	SELECTION DECAL/110-199
12	4218816.001	AR	AR	SELECTION SCROLL COVER/80 - 98
13	4221359.005	AR	AR	LABEL HOLDER
14	4050667	AR	AR	1/8 X .250 ALUM POP
15	4223603.001	AR	AR	8-32 X 1/4 TYP 23 SS
16	4224798.000330	AR	AR	TRAY DIVIDER
17	4225930.000330	AR	AR	HARNESS SUPPORT BRACKET
18	4220500	AR	AR	PRESS SELECTION FOR PRICE/ENGLISH
19	8324099.1	AR	AR	CLAMP – 3/8 x 3/16

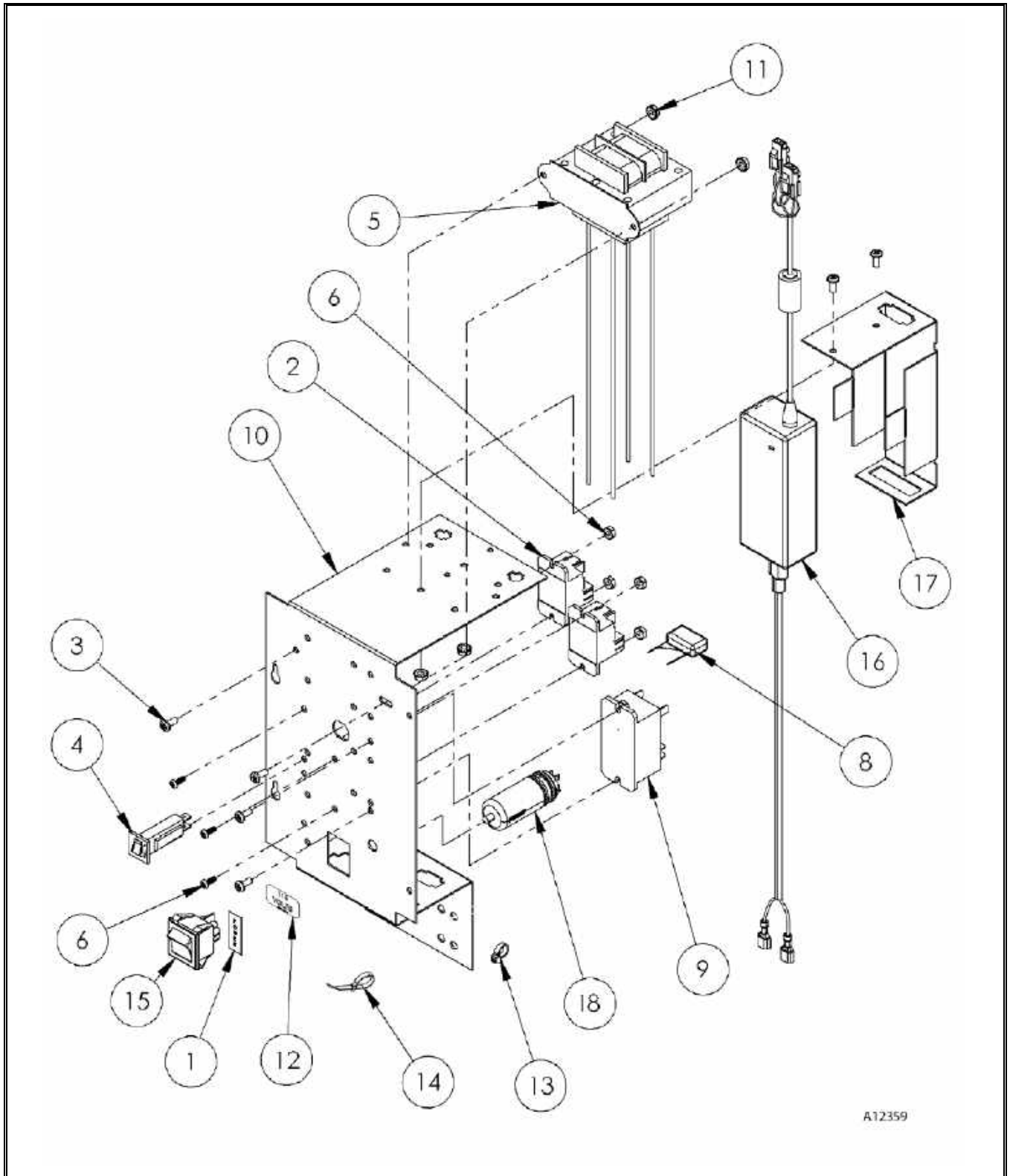
LIST OF PARTS NOT SHOWN

4222709.005	AR	AR	TRAY HARNESS (ST/VT 5 & ELEVATOR)
4227941	1	1	PUSH-IT INSTALLATION SERVICE/PARTS MANUAL (5 OR LESS [USH-IT MODULES PER TRAY])

* SPECIFY COLOR

AR AS REQUIRED

POWER BOX ASSEMBLY (110V & 220V)



A12359

* SPECIFY COLOR

AR AS REQUIRED

POWER BOX ASSEMBLY (110V & 220V) PART LIST

ITEM NO.	PART NUMBER	3623 / 3624 / 3625 / 3626 / 3627 / 3628	3623A / 3624A / 3625A / 3626A /	DESCRIPTION
		(110V)	(220V)	
1	4212527	1	1	POWER LABEL
2	4216013	2	2	MINI RELAY SPST, 24VDC
3	4050240	5	7	8-32 x .375 PHILLIPS PAN HEAD MS
4	4203467.003	1	1	3 AMP CIRCUIT BREAKER
5	4206570.000	1	-	TRNSFORMR,110V INPUT/24V
	4206570.001	-	1	TRNSFORMR,230V INPUT/24V
6	8800060	4	4	6-32 x 3/8 PHILLIPS PAN HEAD MS
7	8800955	4	4	6-32 HEX NUT W/ETW
8	1216357	1	-	ARC SUPPRESSOR SNUBBER 110V
	1216357.001	-	1	ARC SUPPRESSOR SNUBBER 220V
9	4206643	1	1	RELAY DPST 24 VAC/DC30A
10	4218777	1	1	POWER BOX
11	8800956	8	8	8-32 HEX NUT W/ETW
12	4205057	1	-	110V WARNING LABEL
	4205057.001	-	1	220V WARNING LABEL
13	4033704	2	2	CABLE TIE
14	4033712	1	1	CABLE TIE 7 3/8"
15	4213627	1	1	SWITCH-DOUBLE POLE
16	4226805	1	1	24VDC POWER SUPPLY
17	4221934	1	1	LED POWER SUPPLY MOUNT
18	4228077	-	1	10MF CAPACITOR GLS HEATER 220V

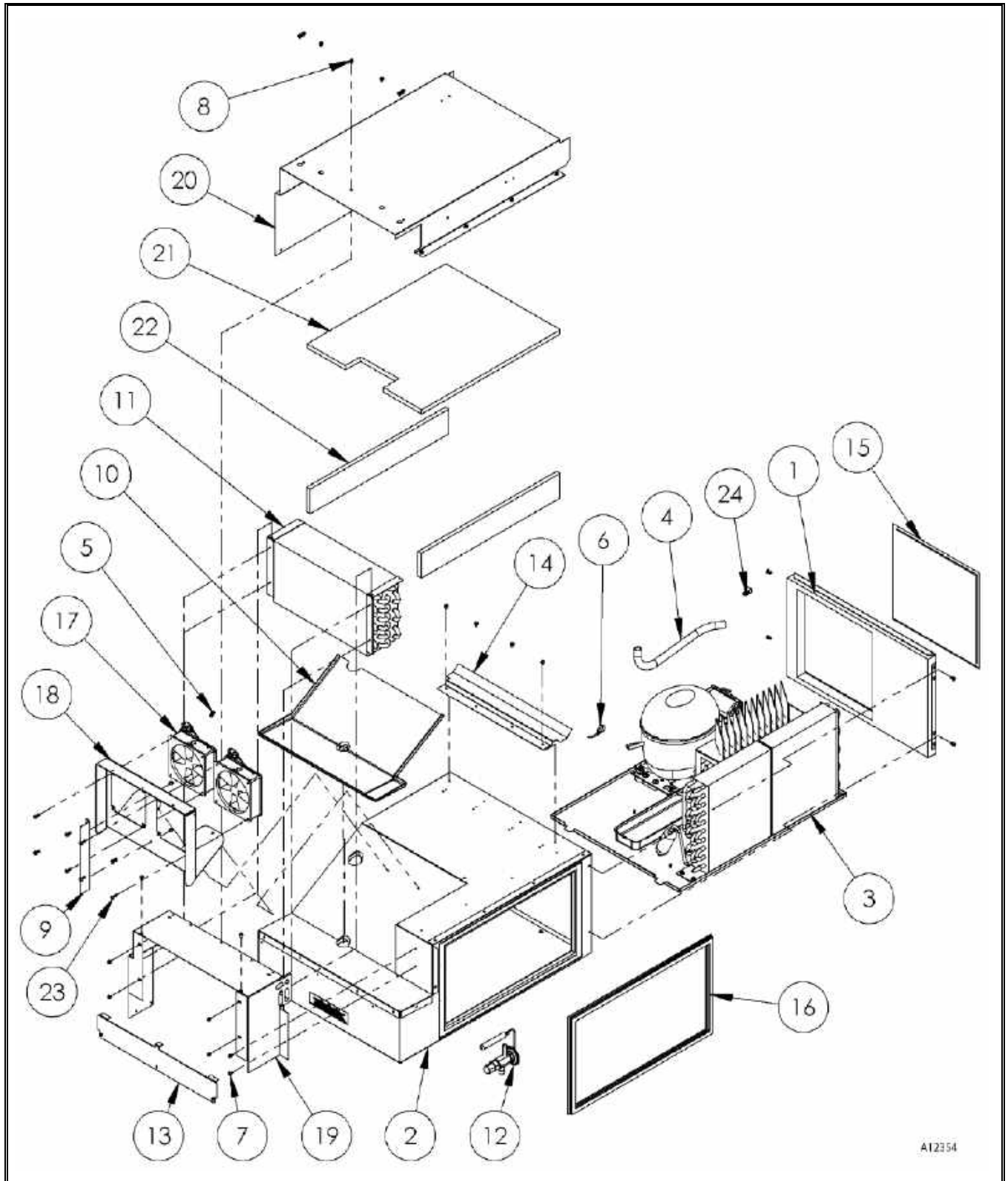
LIST OF PARTS NOT SHOWN

4227995	1	1	CABINET CONTROL HARNESS
4227993	1	1	POWER BOX PRIMARY HARNESS
4227733	1	1	POWER BOX SECONDARY HARNESS
4222072	1	1	LED POWER SUPPLY JUMPER
4228078	-	1	CAPACITOR HARNESS 220V GLASS
4222642	1	1	CONDENSER FAN HARNESS
1211465.003	1	1	13" GROUND WIRE

* SPECIFY COLOR

AR AS REQUIRED

REFRIGERATION MODULE ASSEMBLY (110V & 220V)



A12354

* SPECIFY COLOR

AR AS REQUIRED

REFRIGERATION MODULE (110 & 220V) PARTS LIST

ITEM NO.	PART NUMBER	3623 / 3624 / 3625 / 3626 / 3627 / 3628 / 3629 / 3630	3623A / 3624A / 3625A / 3626A / 3627 / 3628A / 3629A / 3630A	DESCRIPTION
		(110V)	(220V)	
	1221280	1	-	REFER MODULE-1/3HP/110VAC
	1221280.001	-	1	REFER MODULE-1/3HP/220VAC/50HZ
-	1221280.002	-	1	REFER MODULE-1/3HP/230VAC/60HZ
	1221280.003	1	-	REFER MODULE-1/3HP/110VAC/BAIT
	1221280.004	1	-	REFER MODULE-1/3HP/110VAC/R513A
1	1218016	1	1	REFER BACK COVER ASSEMBLY
2	1218108	1	1	FOAMED MODULE
3	SEE PAGE #32	1	-	REFER BASE ASSEMBLY/110VA
		-	1	REFER BASE ASSEMBLY/220VA
4	4025410.500	1.7 FT	1.7 FT	TUBING-MAYON RAW FT
5	4033704	3	3	CABLE TIE
6	4033712	7	7	CABLE TIE 7 3/8"
7	4050180	18	18	8-18 x 1/2 PHILLIPS PAN HEAD TEK
8	4050420	10	10	8-18 x 1/4 PHILLIPS HWH TY
9	4227387	1	1	EVAPORATOR FAN DIVIDER
10	4214818	1	1	EVAPORATOR DRAIN PAN
11	4214819	1	1	EVAPORATOR
12	4215110	1	-	EXPANSION VALVE / 110V
	4215110.001	-	1	EXPANSION VALVE / 220V
13	4215113.000330	1	1	EVAPORATOR DRAIN PAN HOLDER
14	4215798.000330	1	1	AIR BAFFLE FRONT
15	4218654	1	1	REFER MODULE GASKET
16	4218654.001	1	1	REFER MODULE GASKET
17	4225840.001	2	2	24 VDC FAN - TERMINATED
18	4227427	1	1	EVAPORATOR FAN MOUNT
19	4221596.000330	1	1	EVAPORATOR MOUNT
20	4221597.000330	1	1	EVAPORATOR AIR DUCT
21	4221649	1	1	AIR DUCT INSULATOR
22	4221649.001	2	2	AIR DUCT INSULATOR
23	8800638	8	8	#10 X 3/8 "PHILLIPS PAN HEAD SCREW TYPE - B
24	8324099.4	1	1	CLAMP - 3/8 X 3/8

LIST OF PARTS NOT SHOWN

R .3994	AR	AR	SEAL – MASTIC PERMAGUM
4205470	-	1	R-134A REFRIGERANT
4206366.005	AR	AR	INSULATION TUBING 52"
4212649	AR	AR	ALUM TAPE 2" 50 YD ROLL
4212649.002	-	AR	ALUMINUM TAPE 4"
4212656	AR	AR	5/8 ID INSULATION TUBE W/SLIT
4222641	1	1	REFRIGERATION SYSTEM HARNESS

* SPECIFY COLOR

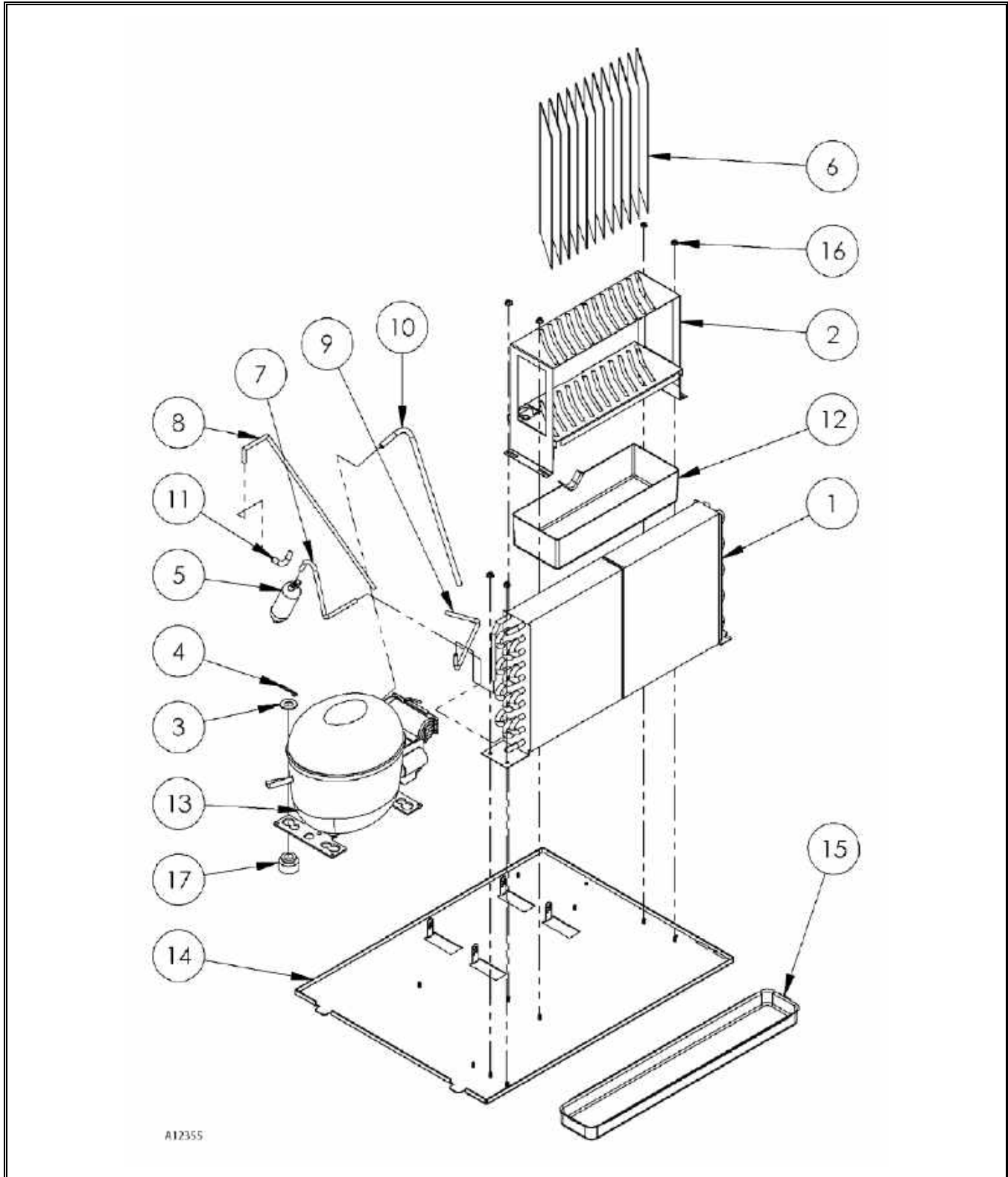
AR AS REQUIRED

ITEM NO.	PART NUMBER	3623 / 3624 / 3625 / 3626 / 3627 / 3628 / 3629 / 3630	3623A / 3624A / 3625A / 3626A / 3627 / 3628A / 3629A / 3630A	DESCRIPTION
		(110V)	(220V)	
	4218268	AR	AR	CORK TAPE
	4218462	AR	AR	BRAZE 560 FLUX CORE
	4227992	1	1	EVAPORATOR FAN CONNECTION HARNESS
	4025735.900	-	AR	TRIM-LOK BLACK

* SPECIFY COLOR

AR AS REQUIRED

REFRIGERATION BASE ASSEMBLY (110V & 220V)



* SPECIFY COLOR

AR AS REQUIRED

REFRIGERATION BASE ASSEMBLY (110V & 220V) PARTS LIST

ITEM NO.	PART NUMBER	3623 / 3624 / 3625 / 3626 / 3627 / 3628 / 3629 / 3630	3623A / 3624A / 3625A / 3626A / 3627A / 3628A / 3629A / 3630A	DESCRIPTION
		(110V)	(220V)	
	1218869	1	-	REFER BASE ASSEMBLY / 120 VAC
	1218869.001	-	1	REFER BASE ASSEMBLY / 220 VAC 50HZ
	1218869.002	-	1	REFER BASE ASSEMBLY / 220 VAC 60HZ
1	1216651	1	1	CONDENSER 1/3 HP
2	1216968	1	1	EVAPORATE CARD WELD
3	4050608	8	8	1/2 FLAT WASHER-ZINC
4	4050773.001	4	4	#17 HITCH PIN "CLOSED"
5	4205468.003	1	1	DRIER BONDED CORE
6	4214735	12	12	EVAPORATE CARD
7	4215044	1	1	CONDENSOR TO DRIER
8	4215045	1	1	PROCESS TUBE
9	4215046	1	1	COMPRESSOR TO CONDENSOR
10	4215047	1	1	COMPRESSOR DISCHARGE
11	4215048	1	1	SUCTION LINE TO COMPRESSOR
12	4215256	1	1	DRAIN PAN W/SPOUT
	4221445	1	-	COMPRESSOR FFU130HAX 115V
13	4221445.001	-	1	COMPRESSOR FFU130HAX 220V 50HZ
	4221445.002	-	1	COMPRESSOR FFU130HAX 220V 60HZ
14	4221567.001	1	1	REFER BASE
15	7200623.000	1	1	DRAIN PAN
16	8800956	7	7	6-32 HEX NUT W/ETW

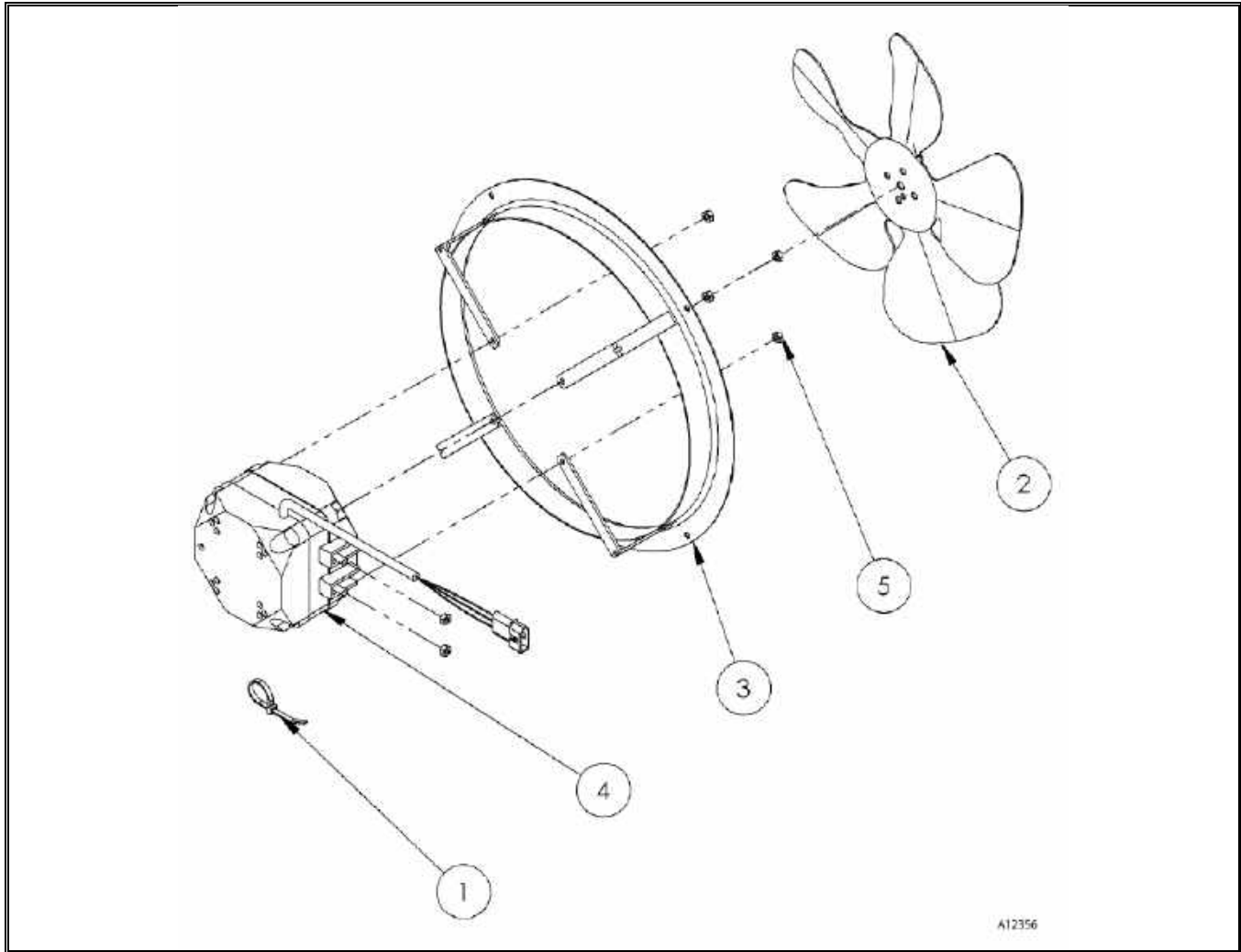
LIST OF PARTS NOT SHOWN

R.4791	AR	AR	CU TUBING 1/2 X .032
4216098	1	1	1/4" LIQUID LINE

* SPECIFY COLOR

AR AS REQUIRED

CONDENSER FAN ASSEMBLY



A12356

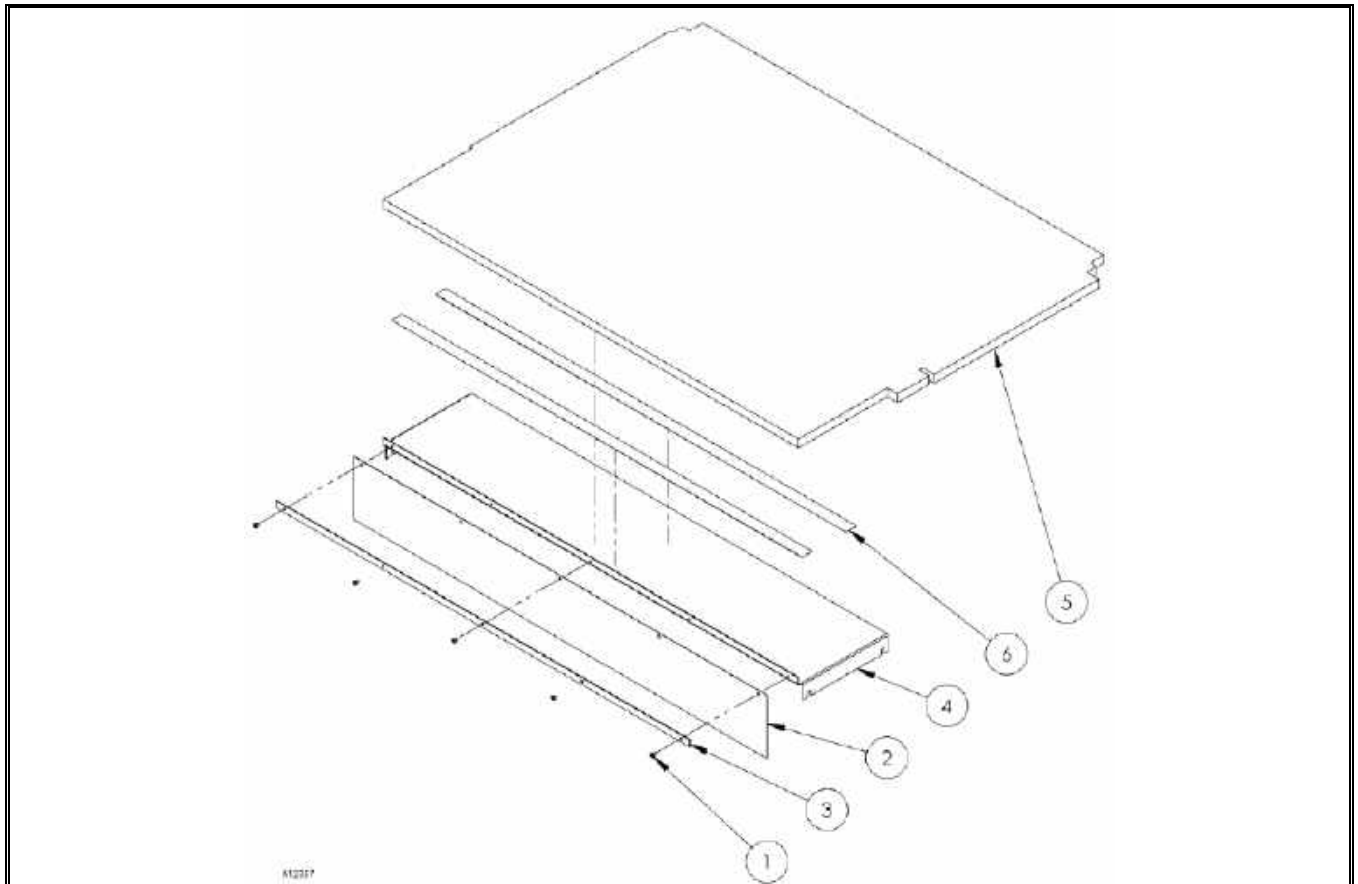
CONDENSER FAN ASSEMBLY PARTS LIST

ITEM NO.	PART NUMBER	3623 / 3624 /	3623A / 3624A /	DESCRIPTION
		3625 / 3626 /	3625A / 3626A /	
		3627 / 3628 /	3627A / 3628 /	
		3629 / 3630	3629A / 3630A	
		(110V)	(220V)	
	1216861.004	1	-	CONDENSER FAN ASSEMBLY 110VAC
	1216861.005	-	1	CONDENSER FAN ASSEMBLY 220VAC
1	4033704	1	1	CABLE TIE 5.6
2	4222731	1	1	9" FAN BLADE 22°
3	4214778.001	1	1	CONDENSOR FAN VENTURI RING
4	4221296.006	1	-	H.E. CONDENSOR FAN MOTOR / 110VAC
	4221296.007	-	1	CONDENSOR FAN MOTOR 16W / 220VAC
5	4215271	6	6	M4 X .7 HEX LOCK NUT

* SPECIFY COLOR

AR AS REQUIRED

BARRIER ASSEMBLY



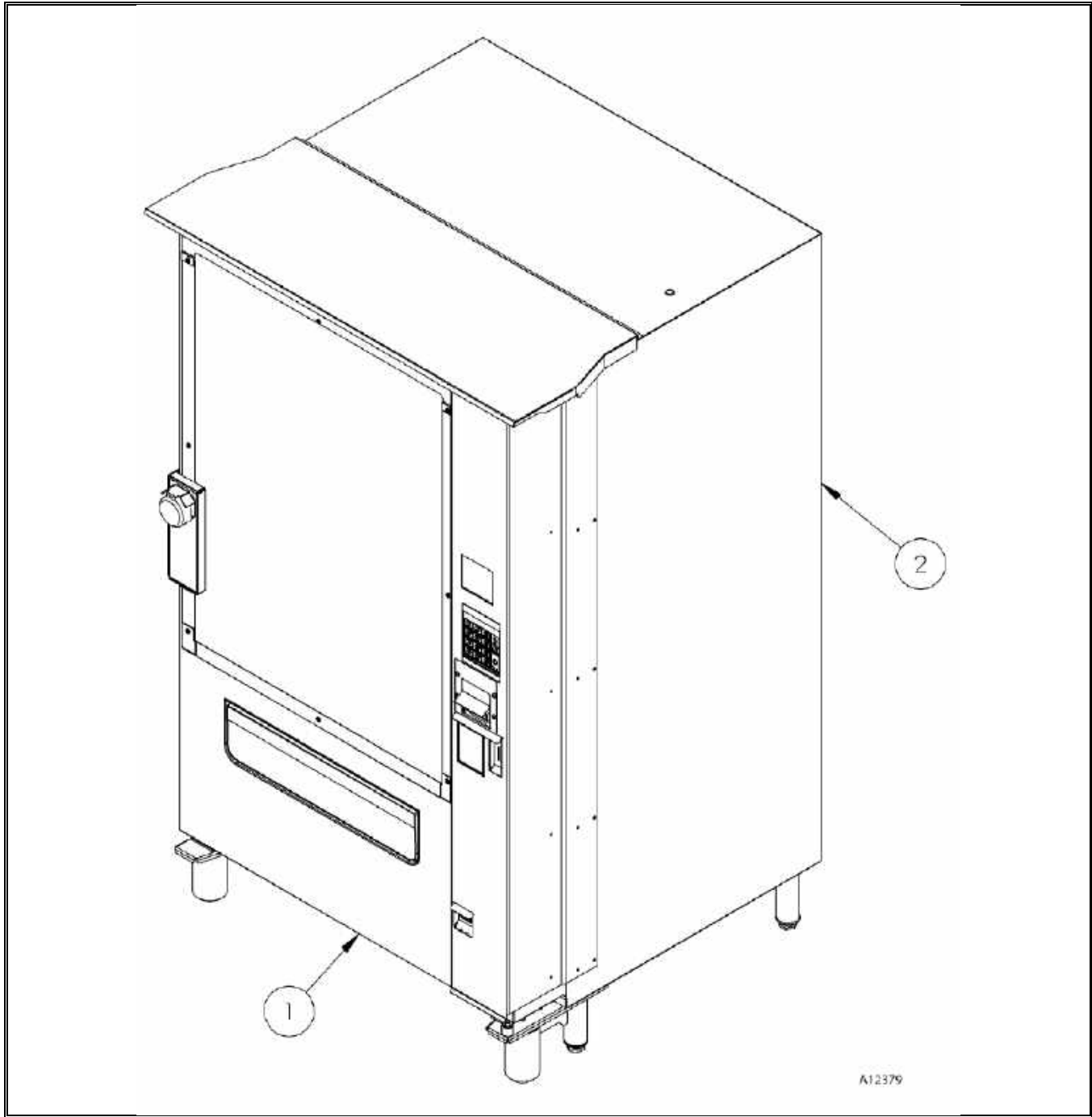
BARRIER ASSEMBLY PARTS LIST

ITEM NO.	PART NUMBER	3626 / 3626A / 3628 / 3628A / 3630 / 3630A	3624 / 3624A	DESCRIPTION
	1221326	1	-	BARRIER ASSEMBLY-4" TALL / 5W (INCLUDES ITEM 1,2,3 & 4)
	1221326.001	1	-	BARRIER ASSEMBLY-2" TALL / 5W (INCLUDES ITEM 1,2,3 & 4)
	1221327	-	1	BARRIER ASSEMBLY-4" TALL / 3W (INCLUDES ITEM 1,2,3 & 4)
	1221327.001	-	1	BARRIER ASSEMBLY-2" TALL / 3W (INCLUDES ITEM 1,2,3 & 4)
1	4201942	5	5	6-20X3/16 PHILLIPS PAN HEAD TYP-B
	4228144	1	-	AIR GAP CURTAIN - EVOKE DZ 5 – 4" TALL
2	4228144.001	1	-	AIR GAP CURTAIN - EVOKE DZ 5 – 2" TALL
	4228149	-	1	AIR GAP CURTAIN - EVOKE DZ 3 – 4" TALL
	4228149.001	-	1	AIR GAP CURTAIN - EVOKE DZ 3 – 2" TALL
3	4228145	1	-	CURTAIN RETAINER -EVOKE DZ 5
	4228150	-	1	CURTAIN RETAINER -EVOKE DZ 3
4	4228146	1	-	INSULATING BARRIER MOUNT-DZ 5
	4228151	-	1	INSULATING BARRIER MOUNT-DZ 3
5	4217391	1	-	INSULATING BARRIER / 5W
	4218876	-	1	INSULATING BARRIER / 3W
6	4208565	5FT	3FT	DOUBLE SIDED TAPE (.750" WIDE)

* SPECIFY COLOR

AR AS REQUIRED

OUTDOOR FINAL ASSEMBLY (3627, 3628)



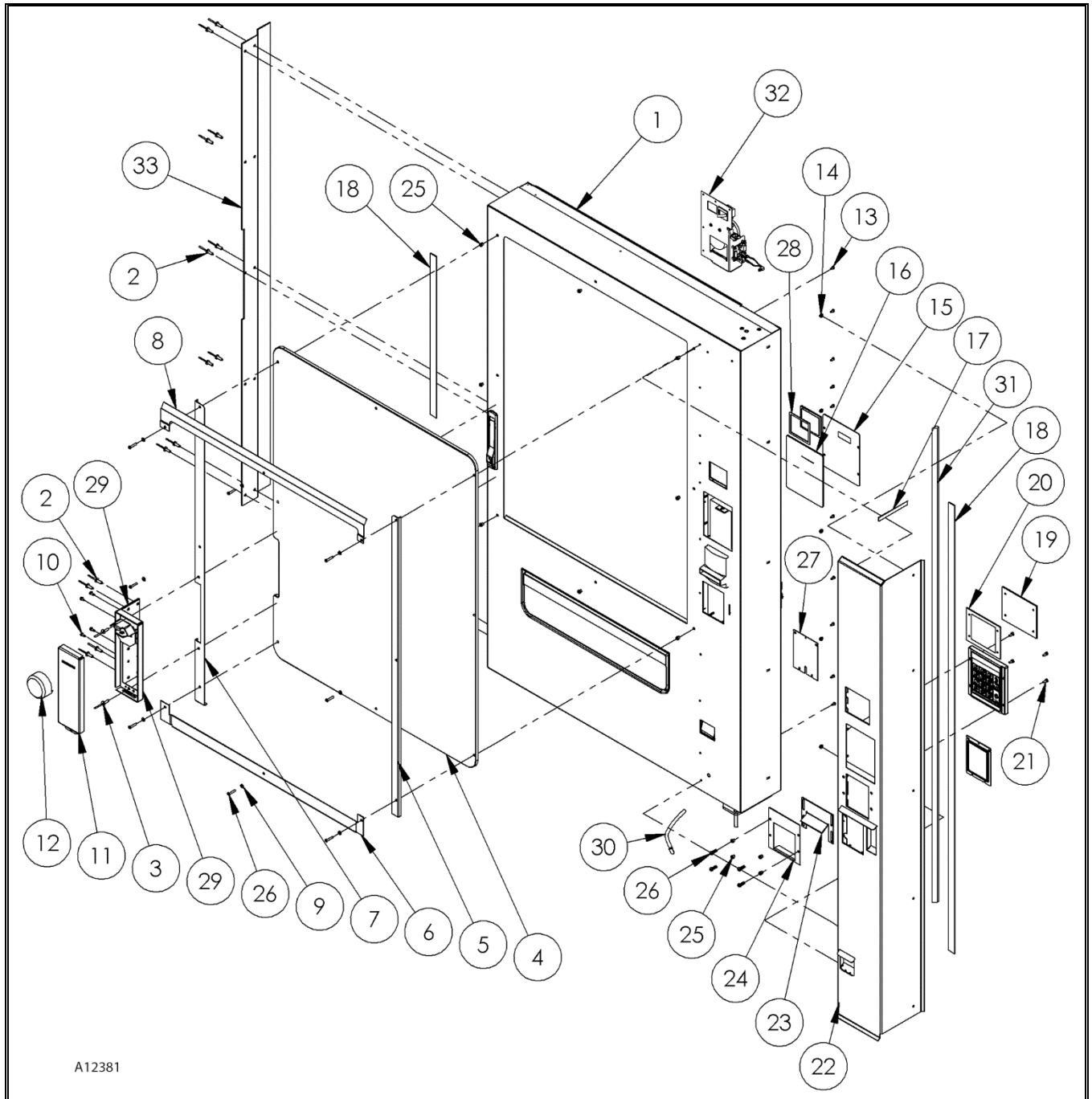
OUTDOOR FINAL ASSEMBLY (MODEL: 3627, 3628) PARTS LIST

ITEM NO.	PART NUMBER	3627	3628	DESCRIPTION
1	SEE PAGE #37	-	-	DOOR PACKAGE – OUTDOOR
2	SEE PAGE #39	-	-	CABINET PACKAGE – OUTDOOR

* SPECIFY COLOR

AR AS REQUIRED

DOOR PACKAGE - OUTDOOR



A12381

OUTDOOR PACKAGE – DOOR ASSEMBLY PARTS LIST

ITEM NO.	PART NUMBER	3627	3628	DESCRIPTION
1	*1221550.000XXX	1	1	DOOR FOAM ASSEMBLY- OUTDOOR (S/N ≥ 1510605) FOR S/N < 1510605 USE DOOR 122550.000XXX AND ALSO PROVIDE P/N 4228536.000330, 4228542 & 4228537.000330
2	4210421.002	AR	AR	1/4" RIVET-BLK AL/AL (.251-.375)
3	4210421.004	2	2	1/4" RIVET-BLK AL/AL (.501-.625)

* SPECIFY COLOR

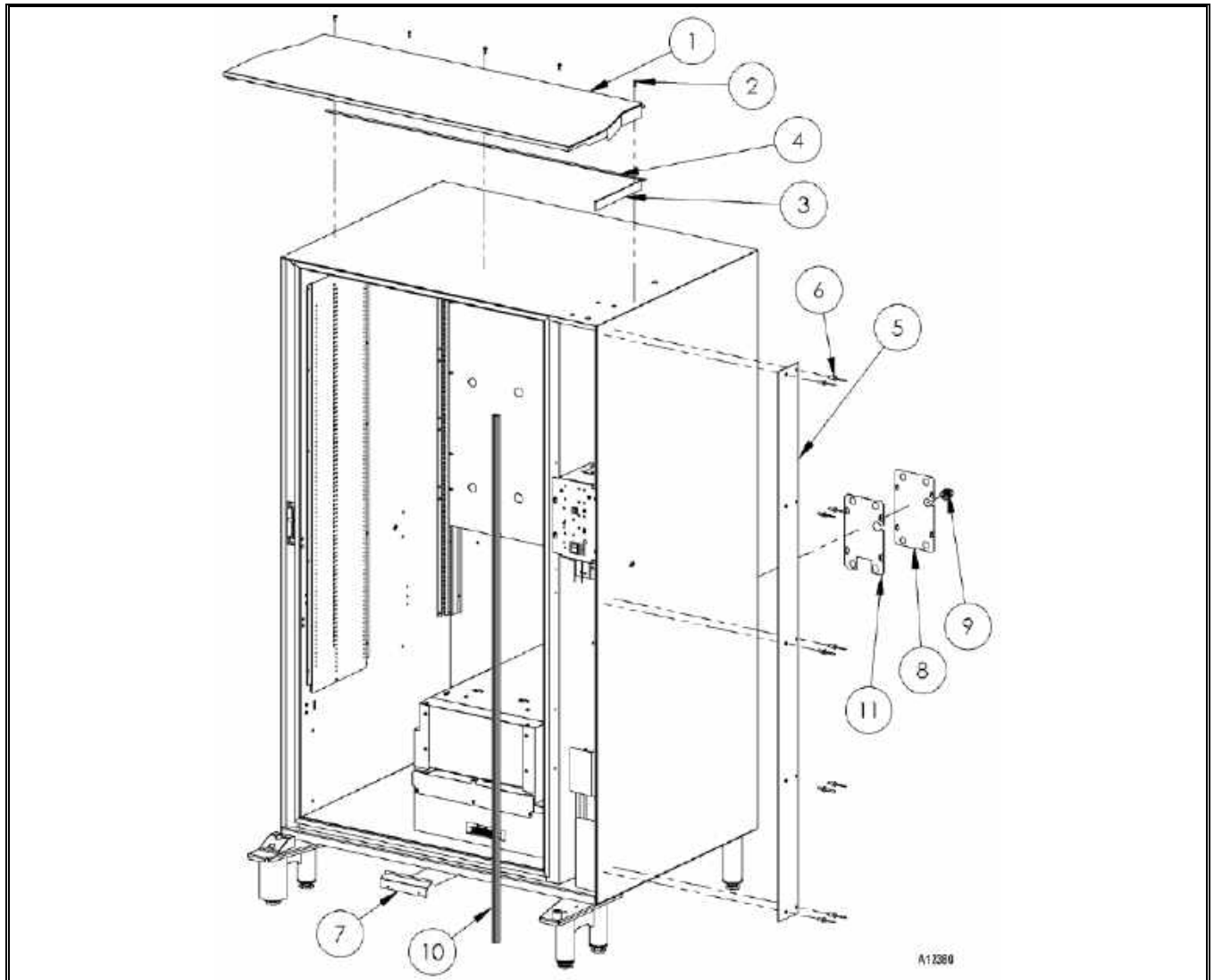
AR AS REQUIRED

ITEM NO.	PART NUMBER	3627	3628	DESCRIPTION
4	1216062.481	1	1	PROTECTIVE WINDOW KIT
5	*4223615.000XXX	1	1	LEXAN GUARD - HINGE SIDE
6	*4223618.005XXX	1	1	LEXAN GUARD - BOTTOM
7	*4223616.000XXX	1	1	LEXAN GUARD - LOCK SIDE
8	*4223624.005XXX	1	1	LEXAN GUARD - TOP
9	8801011	8	8	#8 FLAT WASHER
10	4050202.001	4	4	#8 PHILLIPS HEX WASHER HEAD TEK SCREW
11	*1219052.000XXX	1	1	HANDLE COVER MOUNT
12	4222235	AR	AR	SHACKLE-LESS PADLOCK (RANDOM NUMBER)
	4222235.001	AR	AR	SHACKLE-LESS PADLOCK/80030
13	4050239	11	11	#8 x3/8 PHILLIPS PAN HEAD SCREW - TYPE T
14	880956	AR	AR	#8-32 HEX NUT W/EXTERNAL TOOTH LOCK WASHER
15	4228162.000330	1	1	KEYPAD ACCESS PANEL (S/N < 1510605)
	4228536.000330	1	1	KEYPAD ACCESS PANEL (S/N ≥ 1510605)
16	4228163	1	1	KEYPAD ACCESS PANEL GASKET (S/N < 1510605)
	4228542	1	1	KEYPAD ACCESS PANEL GASKET (S/N ≥ 1510605)
17	4215119	AR	AR	1/8 X 1/2 FOAM TAPE
18	4215119.001	AR	AR	1/8 X 1 FOAM TAPE
19	4227796	1	1	DISPLAY WINDOW/OUTDOOR
20	4227797	1	1	DISPLAY WINDOW GASKET
21	4219645.4	AR	AR	#8 STUD EXTENDER (PACK OF 4)
22	*1221553.000XXX	1	1	SECURITY COVER WELD-OUTDOOR
23	*4227800.000XXX	1	1	VALIDATOR DEFLECTOR/OUTDOOR
24	*4227801.000XXX	1	1	VALIDATOR DEFLECTOR RING/OUTDOOR
25	4215383	AR	AR	10-24 HEX NUT INSERT
26	4223627	12	12	10-24 X 1 SS PINNED TORX SCREW
27	4226488.000330	AR	AR	CARD READER FILLER PLATE (S/N < 1510605)
	4228537.000330	AR	AR	CARD READER FILLER PLATE (S/N ≥ 1510605)
28	4228099	1	1	DISPLAY WINDOW GASKET
29	*1219040.000XXX	1	1	HANDLE COVER WELD
30	4214442	AR	AR	GRAY TUBE
31	4211555	5.5FT	5.5FT	BEVELED FOAM GASKET
32	1221587	AR	AR	ALARM ASSEMBLY – VIRATION (OPTIONAL)
33	*4215733.000XXX	1	1	LATCH SIDE ANTI-CHEAT

* SPECIFY COLOR

AR AS REQUIRED

CABINET PACKAGE - OUTDOOR



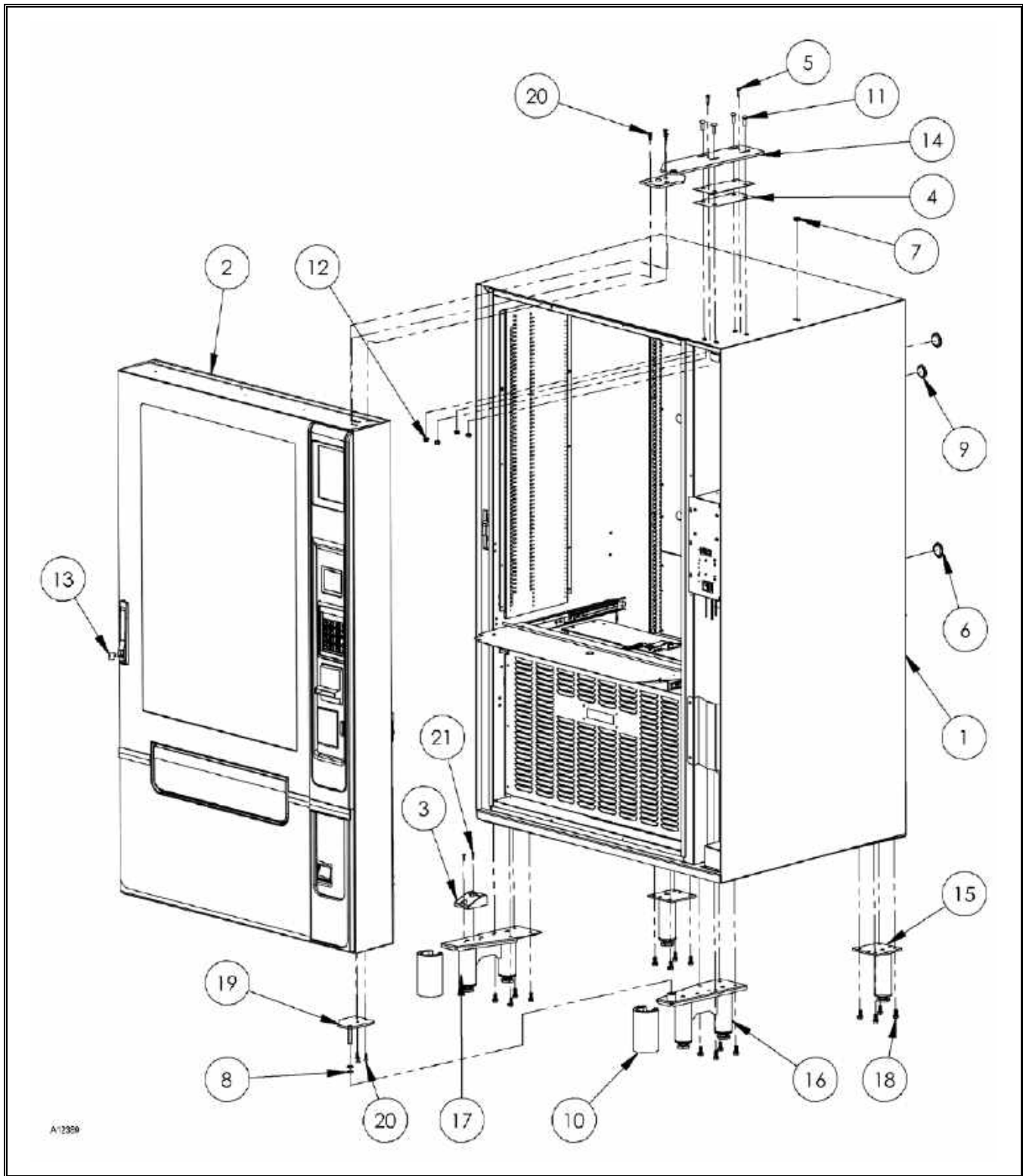
OUTDOOR PACKAGE - CABINET ASSEMBLY PARTS LIST

ITEM NO.	PART NUMBER	3627	3628	DESCRIPTION
1	*1217174.000XXX	1	1	RAIN GUARD WELD
2	4050202.001	AR	AR	#8 x 1/2" PHILLIPS HEX HEAD TEK SCREW
3	4215119.001	AR	AR	1/8 X 1 FOAM TAPE
4	4215119	AR	AR	1/8 X 1/2 FOAM TAPE
5	*4215736.000XXX	1	1	CABINET BRACE
6	4210421.002	AR	AR	1/4" RIVET-BLK AL/AL
7	4215771	1	1	WATER DEFLECTOR
8	4226995.000330	1	1	CONNECTION BOX COVER-OUTDOOR
9	4226996	1	1	STRAIN RELIEF BUSHING
10	4226997	7	7	EPDM GASKET UL50E
11	4227015	1	1	COVER GASKET CORD

* SPECIFY COLOR

AR AS REQUIRED

ELEVATOR FINAL ASSEMBLY (3629, 3630)



* SPECIFY COLOR

AR AS REQUIRED

ELEVATOR FINAL ASSEMBLY PARTS LIST

ITEM NO.	PART NUMBER	3629/ 3529A	3630/ 3630A	DESCRIPTION
1	SEE PAGE #52	1	1	CABINET ASSEMBLY - ELEVATOR
2	SEE PAGE #42	1	1	DOOR ASSEMBLY - ELEVATOR
3	4227466	1	1	DOOR RAMP/EVOKE R
4	4214306	2	2	TOP HINGE SHIM
5	4215175	2	2	#12-18 X 1" HEX WASHER HEAD TEK SCREW
6	7250135.000	2	2	HOLE PLUG – 1 3/8"
7	7250135.008	1	1	HOLE PLUG – 5/8"
8	4219752	2	2	.394 FLAT WASHER-NYLON
9	7250135.010	1	1	HOLE PLUG - 1 1/4"
10	4224812	2	2	SNAP-ON LEG COVER - 6"
11	8810013	4	4	5/16-18 X 1 CARR. BOLT
12	8810015	4	4	5/16-18 FLANGE LOCK NUT
13	4060330	1	1	LOCK CYLINDER W/2 KEYS
14	*1216660.000330	1	1	TOP HINGE WELD/BLACK
15	1220522	2	2	TUBULAR LEG WELD W/LEG LEVELER (4219208)
16	1221098.000330	1	1	OUTRIGGER WELD - RIGHT
17	1221098.001330	1	1	OUTRIGGER WELD - LEFT
18	8801388	16	16	5/16-18X3/4 HWH TYPE - 1
19	*1217994.000330	1	1	BOTTOM HINGE STAKE ASSEMBLY
20	4212089	6	6	1/4-20X3/4 SCKT FLAT C'SUNK
21	4212505	2	2	#8 X 3/4" PHILLIPS PAN HEAD TEK SCREW

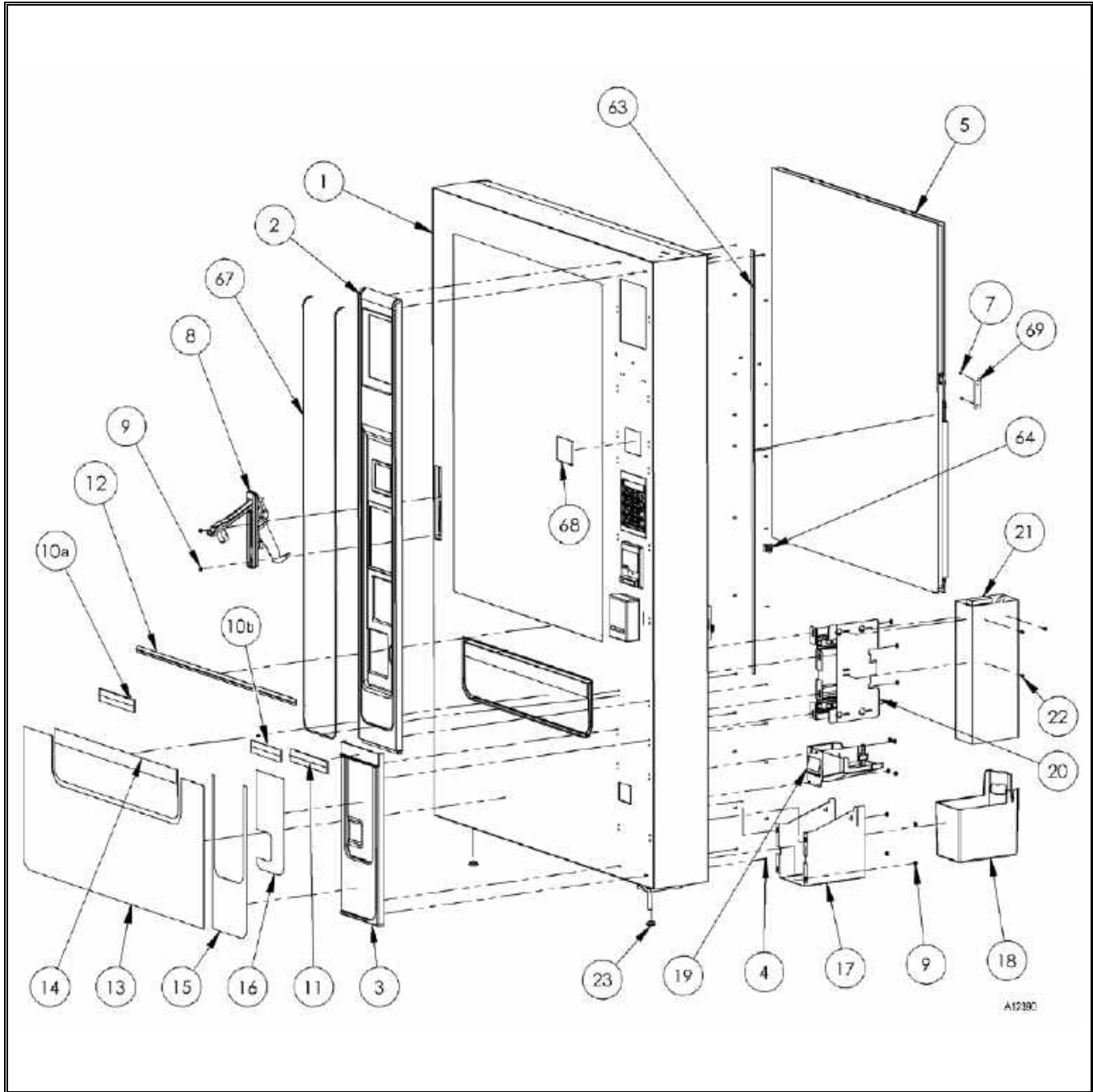
LIST OF PARTS NOT SHOWN

	4213628	1	1	FERRITE BEAD SNAP FIT
--	---------	---	---	-----------------------

* SPECIFY COLOR

AR AS REQUIRED

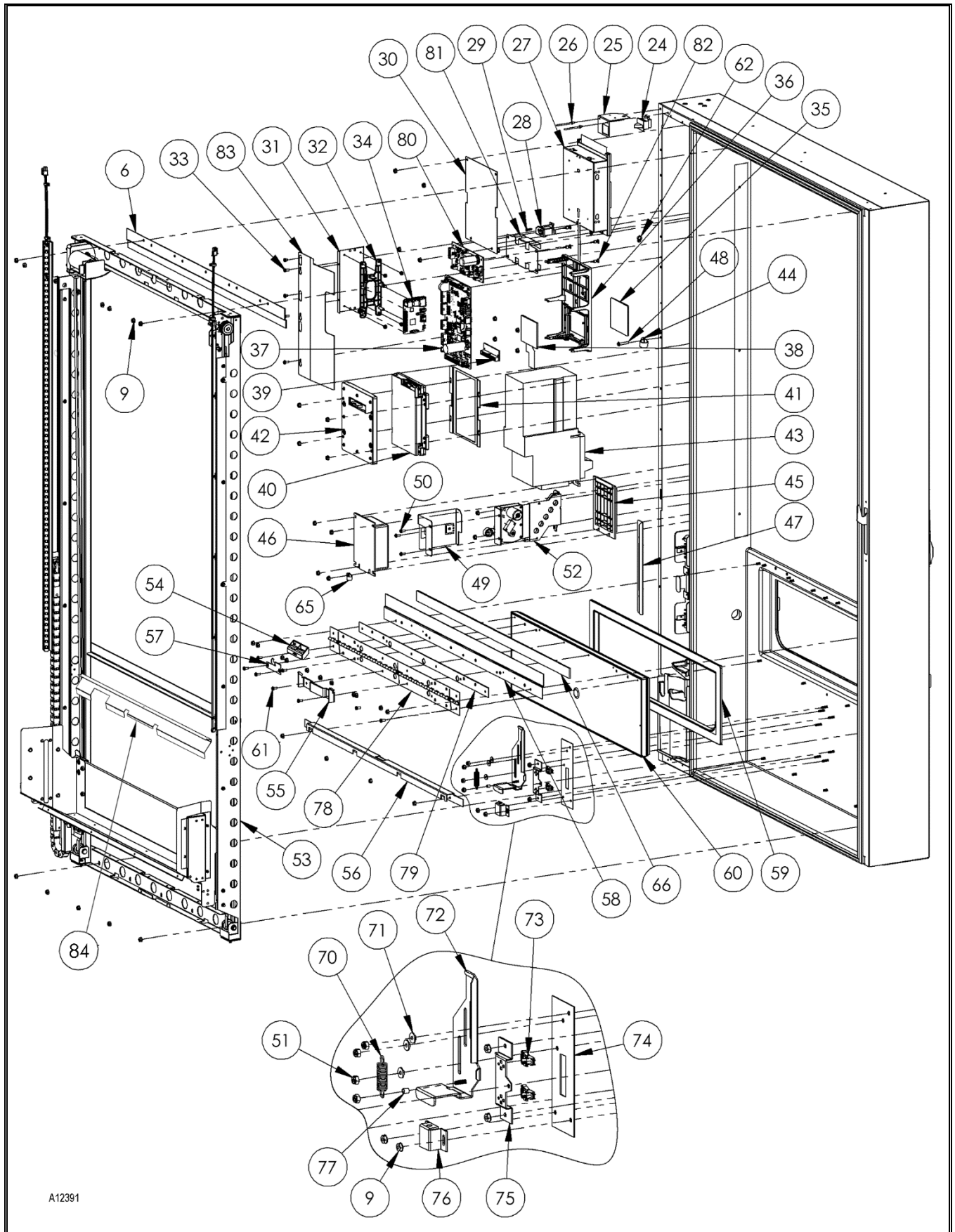
ELEVATOR DOOR ASSEMBLY



A12380

* SPECIFY COLOR

AR AS REQUIRED



A12391

* SPECIFY COLOR

AR AS REQUIRED

ELEVATOR DOOR ASSEMBLY PARTS LIST

ITEM NO.	PART NUMBER	3629/ 3529A	3630/ 3630A	DESCRIPTION
1	* 1221182.401XXX	1	1	DOOR FOAM ASSEMBLY W/BEZEL – ELEVATOR
	* 1221182.403XXX	1	1	DOOR FOAM ASSEMBLY HI-SECURITY W/BEZEL – ELEVATOR
2	4227449	1	1	EVOKE STYLE BEZEL - TOP
3	4227450	1	1	EVOKE STYLE BEZEL - BOTTOM
4	4220189	27	27	#4 X ¼ PHIL PAN HEAD PLASTIC THREAD ROLLING SCREW
5	1216062.363	1	1	GLASS REP KIT/ELEV/110V 2 PANE (110V/230V)
6	4218732.000330	1	1	TOP WINDOW GLASS RETAINER/5W
7	4050202.001	AR	AR	#8 X ½" PHILLIPS HEX WASHER HEAD TEK SCREW
8	4218645	1	1	DOOR HANDLE
9	8800956	AR	AR	#8 HEX NUT W/EXT TOOTH LOCK WASHER
10a	4214754.007	-	-	AL EXTRUSION TRIM - LH
10b	4214754.008	1	1	AL EXTRUSION TRIM - RH
11	4224754	1	1	AL EXTRUSION TRIM - BEZEL
12	4227627.001	-	-	GLASS FILLER TRIM – ELEVATOR
13	4227732	-	-	DECAL-BRUSHED AL/DOOR/EVOKE ELEVATOR
14	4227552	1	1	DECAL- BRUSHED AL/DEL DOOR/EVOKE 5R
15	4227554	1	1	DECAL- BRUSHED AL/LOWER BEZEL
16	4227553	1	1	DECAL- BRUSHED AL/COIN RETURN
17	4227487.000330	1	1	COINBOX HOUSING - LARGE
18	4227650	1	1	COINBOX - LARGE
19	1218361	1	1	COINCUP ASSEMBLY
20	1218371	1	1	COIN MECHANISM MOUNT SEE PAGE #13
21	CONTACT VENDNET	OPT	OPT	COIN MECHANISM
22	8800636	AR	AR	#8 X ½" PHILLIPS PAN HEAD SHEETMETAL SCREW
23	7250135.003	2	2	HOLE PLUG – ¾"
24	4212621	1	1	DOOR SWITCH
25	4217588	1	1	DOOR SWITCH MOUNT
26	4050665	2	2	1/8X1/4 POP RIVET
27	SEE PAGE #9	OPT	OPT	POINT-OF-SALE ASSEMBLY
28	4227268	1	1	DEX & 3.5MM JACK MOUNT
29	4050180	1	1	#8 X ½" PHILLIPS PAN HEAD TEK SCREW
30	4227499.000330	1	1	POS FILLER
31	4227225.000330	1	1	RASPBERRY PI MOLDING MOUNT
32	4226628	1	1	RASPBERRY PI MOUNT
33	4223603.001	AR	AR	#8 X ¼" PHILLIPS TRUSS HEAD SCREW TYPE T
34	4225084	1	1	RASPBERRY PI (SBC)
35	4226610	1	1	3.5" LCD DISPLY LENS
36	4226605	1	1	VMC BOARD MOUNT - FLEX
37	4224664	1	1	FLEX BOARD
38	4226754	1	1	3.5" COLOR DISPLAY
39	4226755	1	1	LCD 3.5" INTERFACE BOARD
40	1220884	1	1	7" FLEX TOUCHSCREEN ASSEMBLY

* SPECIFY COLOR

AR AS REQUIRED

ITEM NO.	PART NUMBER	3629/ 3529A	3630/ 3630A	DESCRIPTION
41	4227459.000330	1	1	7" TOUCHSCREEN FILLER
42	1221149	1	1	EVOKE KEYPAD ASSEMBLY
43	CONTACT VENDNET	OPT	OPT	BILL VALIDATOR
44	8324099.7	1	1	P CLAMP – 5/8"
45	4224794.002	AR	AR	PAYMENT BLANK
46	CONTACT VENDNET	OPT	OPT	CREDIT CARD READER
47	4218648.000330	1	1	LATCH TRIM PLATE
48	4050273	1	1	#8 X 1" PHILLIPS PAN HEAD MACHINE SCREW
49	4220349.001330	1	1	COVER-COIN RETURN MECHANISM
50	4050240	AR	AR	#8 X 3/8" PHILLIPS PAN HEAD MACHINE SCREW
51	4210384	AR	AR	#8 HEX NYLOCK NUT
52	SEE PAGE #14	1	1	COIN RETURN MECHANISM
53	SEE PAGE #47	1	1	ELEVATOR FRAME ASSEMBLY
54	SEE PAGE #51	1	1	OPTICAL SENSOR ASSEMBLY
55	4219060.000330	1	1	ACCESS DOOR STOPPER
56	4218660.000330	1	1	BOTTOM DELIVERY GUIDE
57	4219017.000330	1	1	OPTICAL SWITCH BREAKER
58	4218661.000330	1	1	BOTTOM WINDOW SUPPORT
59	1221122.005	1	1	DELIVERY BEZEL ASSEMBLY-5W
60	1221184.401	1	1	DEL DOOR FOAM ASSY – ELEVATOR BRUSH ALUMINUM
	1221184.402	1	1	DEL DOOR FOAM ASSY – ELEVATOR BLACK
61	4050239.001	1	1	8-32 X 3/8" PHILLIPS PAN HEAD TYPE 23 SCREW
62	4033704	4	4	WIRE TIE
63	4209845	AR	AR	PROTECTIVE WNDW SEAL/GASKET 1/2"
64	4220132	1	1	WIRE/TUBE CLAMP - 5/8" (STEEL – EPDM CUSHION)
65	8324099.4	1	1	CLAMP – 5/8"
66	4215119.001	2.5 FT	2.5 FT	1" X 1/8" THK FOAM TAPE
67	4224753	8 FT	8 FT	1/8 MATTE SILVER TRIM
68	4227631	1	1	DISPLAY LENS DECAL
69	4227542.000330	2	2	WINDOW GLASS RETAINER
70	4218691	1	1	SPRING - DELIVERY DOOR LOCK
71	4030100.003	3	3	BUSHING SPACER - SS
72	4218690.001	1	1	DELIVERY DOOR LOCK BRACKET
73	4219019	2	2	SNAP-FIT SWITCH
74	4219014	1	1	SPACER – DOOR LOCK BRACKET
75	4219015.000330	1	1	DELIVERY DOOR LOCK SWITCH MOUNT
76	4219460.000330	1	1	DELIVERY DOOR LOCK STOPPER
77	4216687.156	1	1	TUBULAR SACER - .156 LONG
78	4218662	1	1	DELIVERY DOOR HINGE W/SPRING
79	4220266	2	2	DELIVERY DOOR HINGE SHIM
80	4218978	1	1	ELEVATOR CONTROL BOARD
81	4226770.000330	1	1	ELEVATOR CONTROL BOARD MOUNT
82	4206879	4	4	BOARD STANDOFF

* SPECIFY COLOR

AR AS REQUIRED

ITEM NO.	PART NUMBER	3629/ 3529A	3630/ 3630A	DESCRIPTION
83	4228040.000330	1	1	HARNESS COVER – MONETARY AREA
84	4228593.000330	1	1	DELIVERY AIR DEFLECTOR

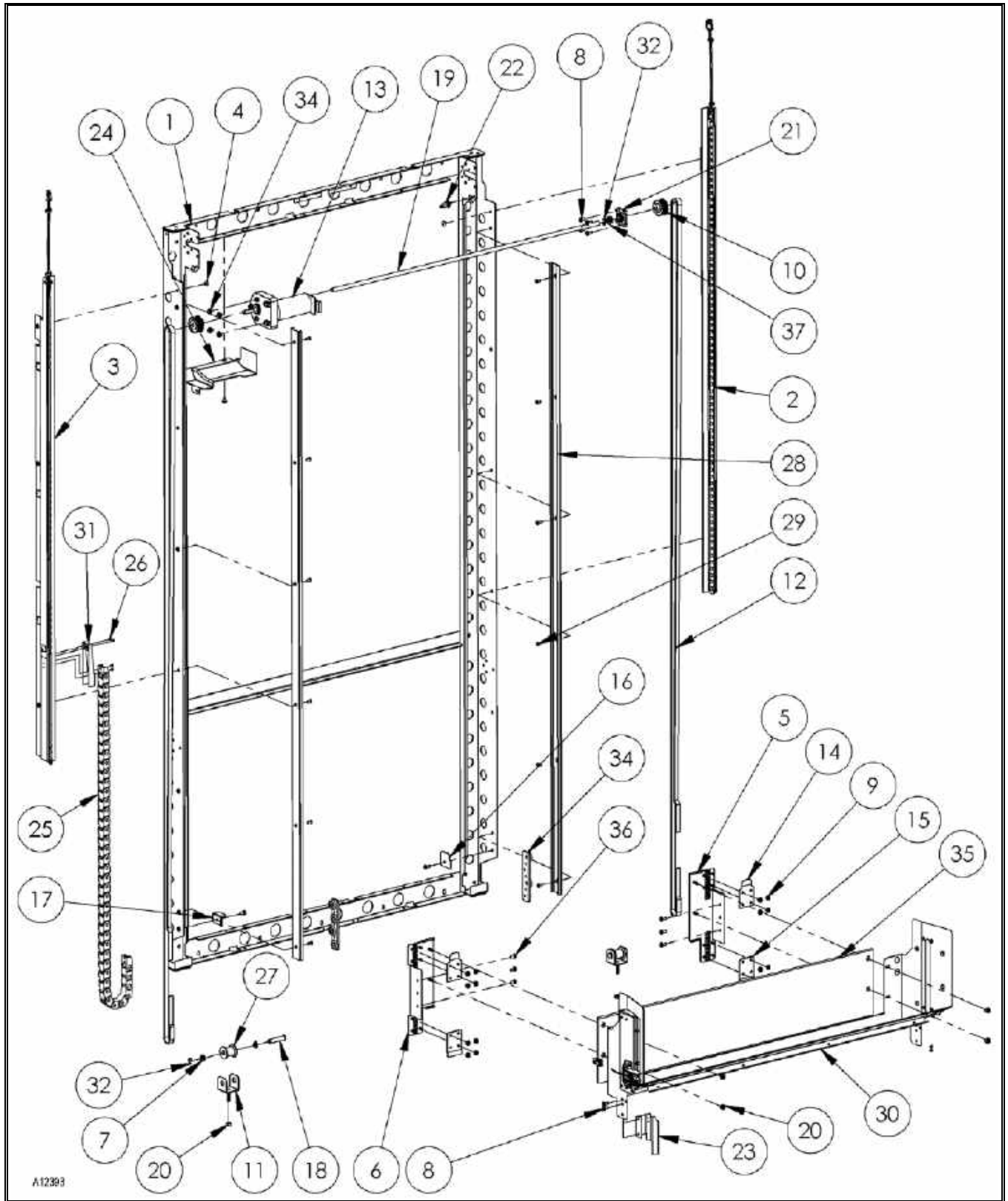
LIST OF PARTS NOT SHOWN

1211465.003		1	1	13" GROUND WIRE GR/YL
4214278		1	1	DEX HARNESS (GVC1 OR GVC2
4215373		1	1	DOOR SWITCH HARNESS 22"
4215471		1	1	MDB CABLE/GVC1
4216099.003		1	1	KEYPAD CABLE 13"
4226903		1	1	DISPLAY HARNESS-6IN
4226708		1	1	I-VEND EXTENSION CABLE
4222259		1	1	DEX JUMPER
4225072		1	1	SBC SERIAL PORT HARNESS
4225195		1	1	SBC HDMI DISPLAY HARNESS
4226157.003		1	1	MICRO SD CARD
4227663		1	1	SBC/TS POWER HARNESS

* SPECIFY COLOR

AR AS REQUIRED

ELEVATOR FRAME ASSEMBLY



A12393

* SPECIFY COLOR

AR AS REQUIRED

ELEVATOR SUB-ASSEMBLY PARTS LIST

ITEM NO.	PART NUMBER	3629/ 3629A	3630/ 3630A	DESCRIPTION
1	1218009.000330	1	1	ELEVATOR WELDED FRAME
2	SEE PAGE #49	1	1	ELEVATOR LED ASSEMBLY – LOCK SIDE
3	SEE PAGE #49	1	1	ELEVATOR LED ASSEMBLY – HINGE SIDE
4	4223603.001	3	3	8-32 x 1/4" [HILLIPS TRUSS HEAD TYPE 23 SCREW
5	1218102.001330	1	1	ELEVATOR MOUNTING BRACKET STAKE - LH
6	1218102.000330	1	1	ELEVATOR MOUNTING BRACKET STAKE - RH
7	4025263.001	4	4	TYPE#5 NYLINER 5/16ID
8	4050239	6	6	8-32X3/8 PHILLIPS PAN HEAD TYP-T
9	4217154	16	16	#6-32 HEX NUT W/NYLON INSERT
10	€ 4220190	2	2	XL(.200) TIMING BELT PULLEY
11	4218668.001330	2	2	BOTTOM PULLEY BRACKET TENSIONER
12	‡ 4218669	2	2	XL(.200) TIMING BELT
13	§§ € 4218670	1	1	ELEVATOR DC MOTOR-150 RPM W/COUPLING
14	4218674.000330	2	2	BELT FIXING BRACKET TOP
15	4218675.000330	2	2	BELT FIXING BRACKET BOTTOM
16	4218676.001330	1	1	ELEVATOR STOPPER BRACKET-LH
17	4218676.000330	1	1	ELEVATOR STOPPER BRACKET-RH
18	4218679	2	2	LOWER PULLEY SHAFT- Ø 5/16"
19	4218683	1	1	ONNECTING ROD Ø 5/16"
20	4210384	6	6	8-32 HEX NUT W/NYLON INSERT
21	4218934	1	1	FLANGE BEARING
22	4219019	1	1	SNAP-FIT SWITCH
23	4219023.000330	1	1	HARNESS TRACK BRACKET
24	4219179	1	1	ELEVATOR MOTOR COVER
25	1218137	1	1	IVEND/REED SWITCH HARNESS
26	4219242	6	6	#4 X .25 FPH SMS TYPE AB
27	4219269	2	2	FLAT PULLEY
28	4219491.001	2	2	SLIDE RAIL – 52" LONG
29	4219604	12	12	8-32 X 3/8 UNDERCUT FH MS ZN
30	SEE PAGE #50	1	1	DELIVERY BUCKET ASSEMBLY
31	4219635.000330	1	1	HARNESS TRACK SUPPORT BRACKET
32	8801080	3	3	E-RING, Ø 5/16"
33	4226851	4	4	10-24 X 1/4 HEX HEAD SLOTTED TYPE F SCREW
34	4219491.002	2	2	CARRIAGE
35	4219201	1	1	ELEVATOR ADVERTISING PANEL
36	4050240	10	10	8-32 X 3/8" PHILLIPS PAN HEAD MS
37	8324353	1	1	ID 5/16 FLAT WASHER

NOTES: -

§ Shaft coupling (4220191) is part of Motor (#13) shaft. Shaft coupling is still available for order separately.

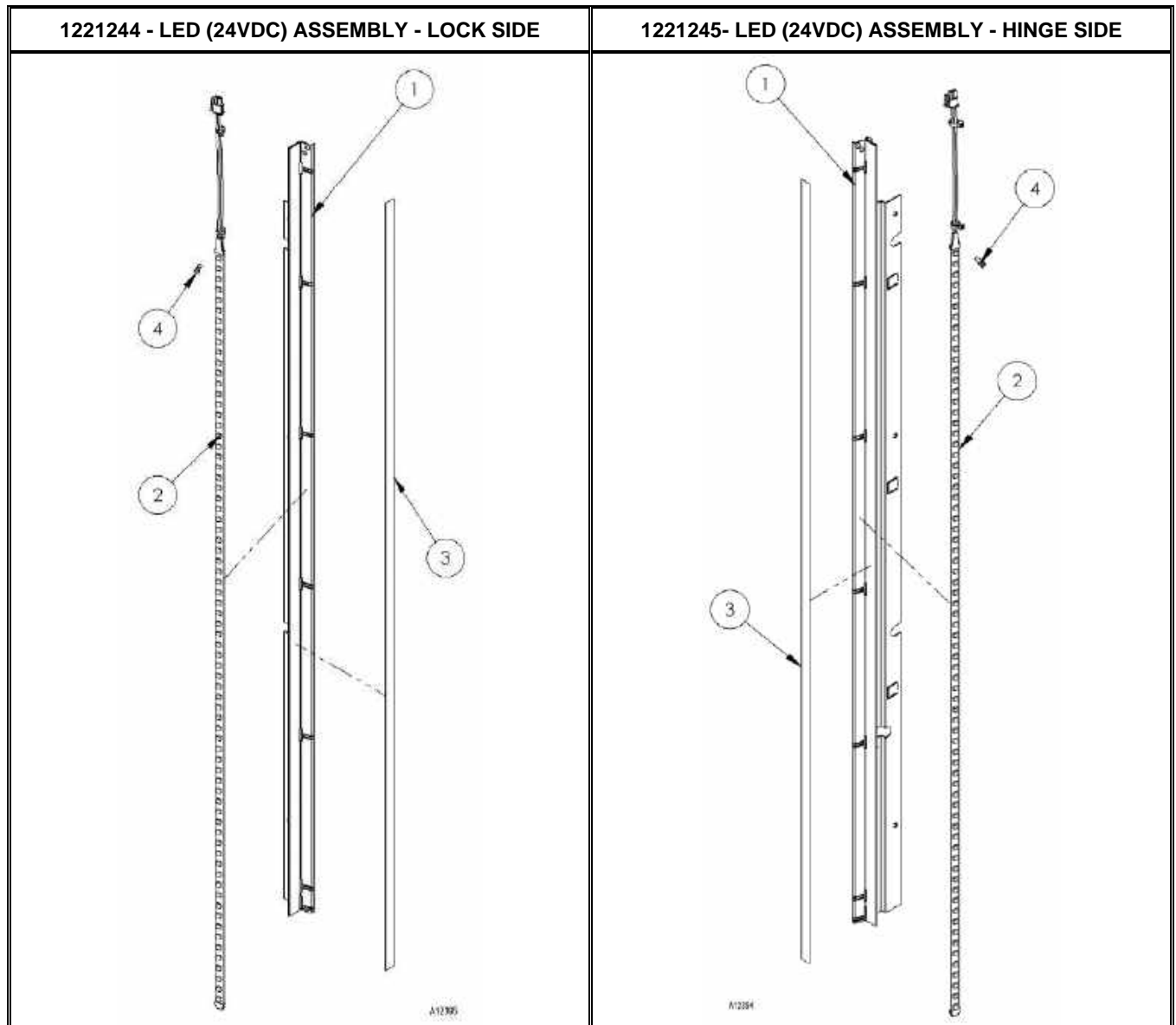
€ Motor w/coupling (#13), Shaft Coupling (4220191) and pulleys (#10) are supplied with # 10 - 32 x 1/4 Set Screw (4220011)

‡ 4228825 – Force Gauge is required to adjust tension in the timing belt.

* SPECIFY COLOR

AR AS REQUIRED

ELEVATOR LED ASSEMBLY (24VDC)



LED ASSEMBLY (WITH STRIP LED) PARTS LIST

ITEM NO.	PART NUMBER	3629/ 3529A	3630/ 3630A	DESCRIPTION
1	4222461.001309	1	1	LED MOUNT/HINGE SIDE
	4222460.001309	1	1	LED MOUNT/LOCK SIDE
2	4227875	2	1	LED STRIP – 24VDC
3	4222592	3.33FT	3.33FT	METALIZED TAPE
4	4030704	1	1	CABLE TIE

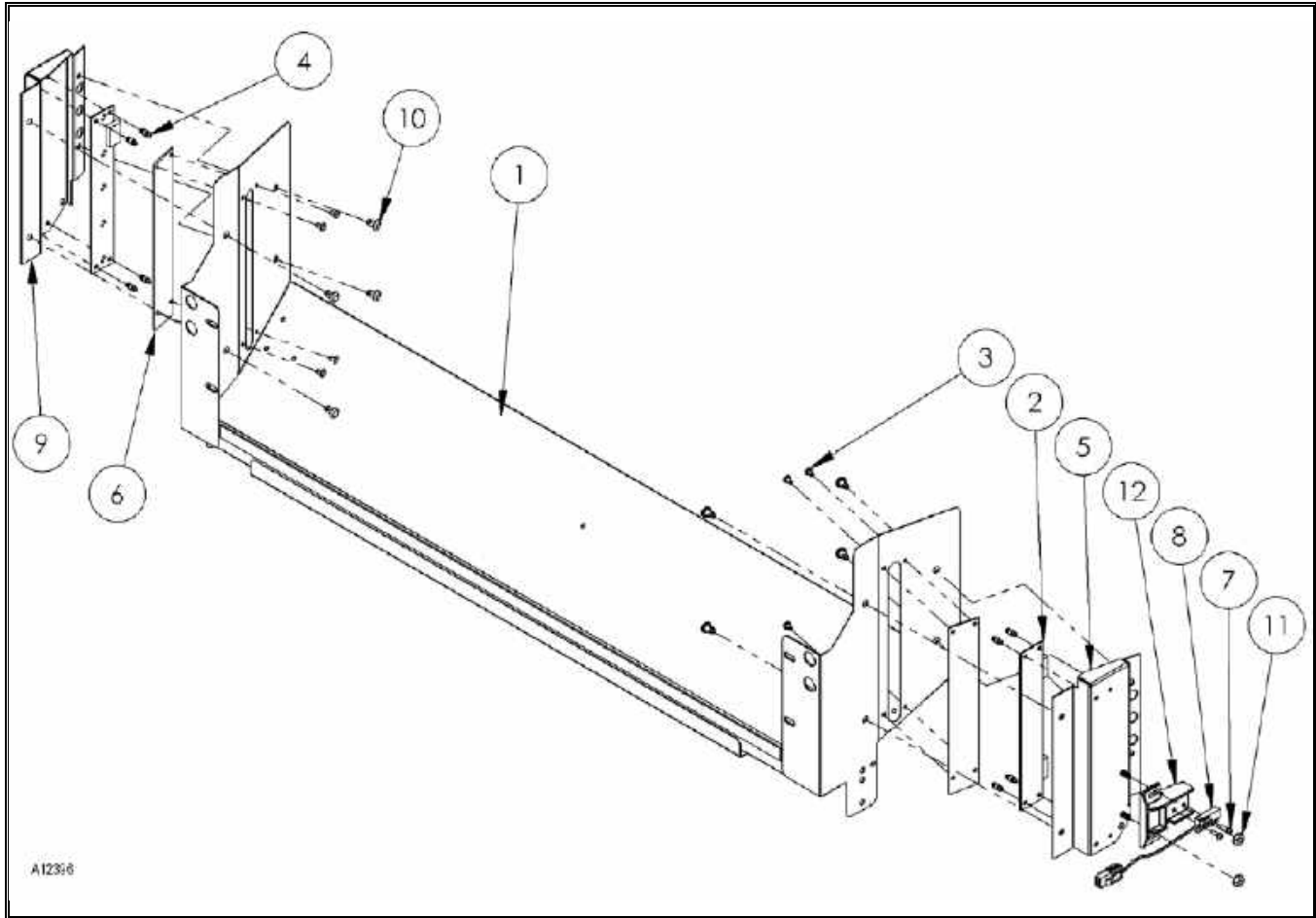
LIST OF PARTS NOT SHOWN

4227643	1	1	LED LOWER EXTENSION HARNESS
---------	---	---	-----------------------------

* SPECIFY COLOR

AR AS REQUIRED

DELIVERY BUCKET ASSEMBLY



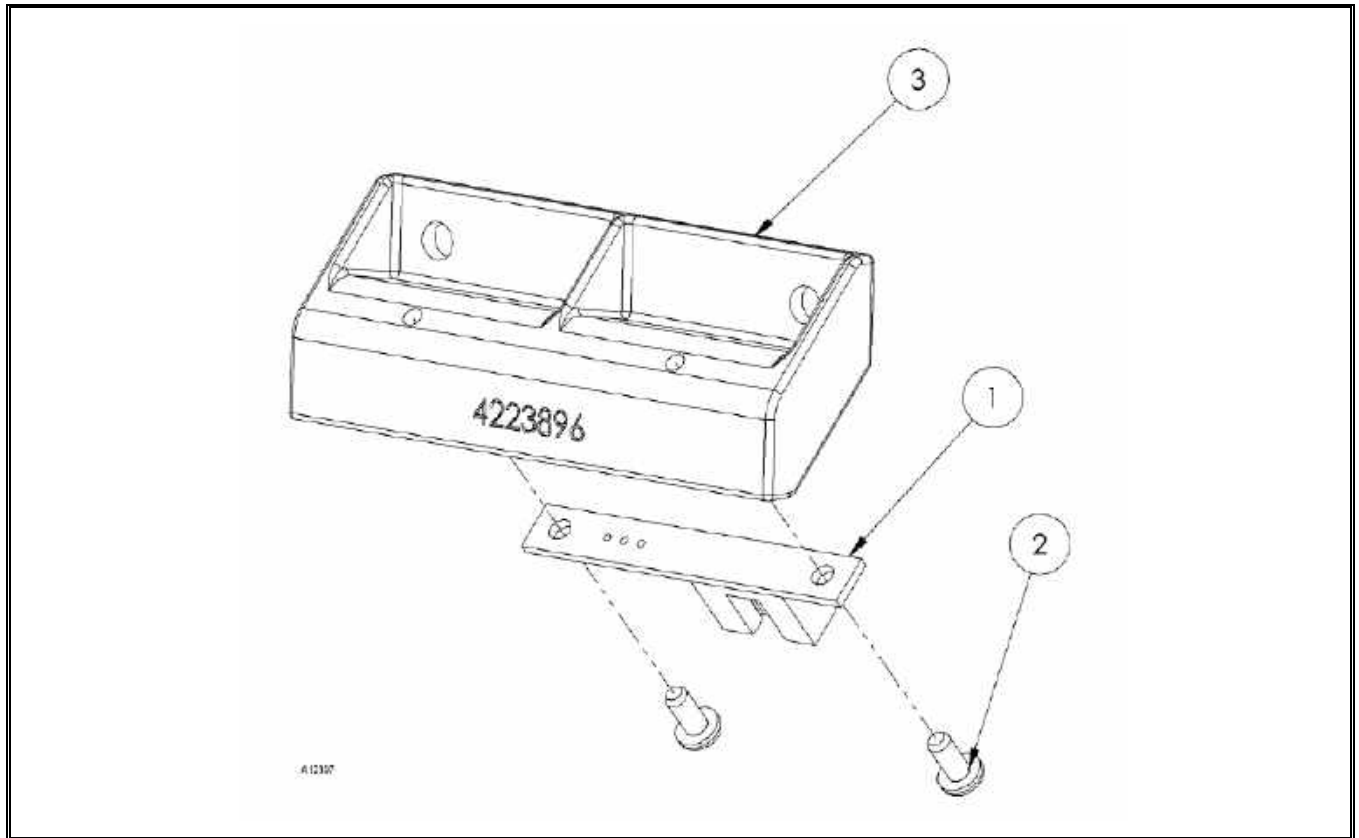
DELIVERY BUCKET ASSEMBLY PARTS LIST

ITEM NO.	PART NUMBER	3629/ 3629A	3630/ 3630A	DESCRIPTION
1	1218010.000330	1	1	DELIVERY BUCKET WELD
2	4212464.023	1	1	DELIVERY SENSOR/COMP/COATED/ELEVATOR
3	4215561.015	8	8	SNAP RIVET/BLACK 1/8
4	4218966	8	8	BOARD STANDOFF
5	4222415.001330	1	1	ELEVATOR DEL SENSOR BRACKET
6	4219405	2	2	I-VEND SENSOR COVER
7	8800024	2	2	4-40X3/8 PHILLIPS PAN HEAD MS
8	1218166	1	1	REED SWITCH HARNESS
9	4222416.000330	1	1	ELEVATOR DEL SENSOR BRACKET
10	4215561.036	8	8	SNAP RIVET/BLACK 3/16
11	4216313	1	1	CLAMP
12	4220965	1	1	REED SWITCH MOUNT

* SPECIFY COLOR

AR AS REQUIRED

OPTICAL SENSOR ASSEMBLY



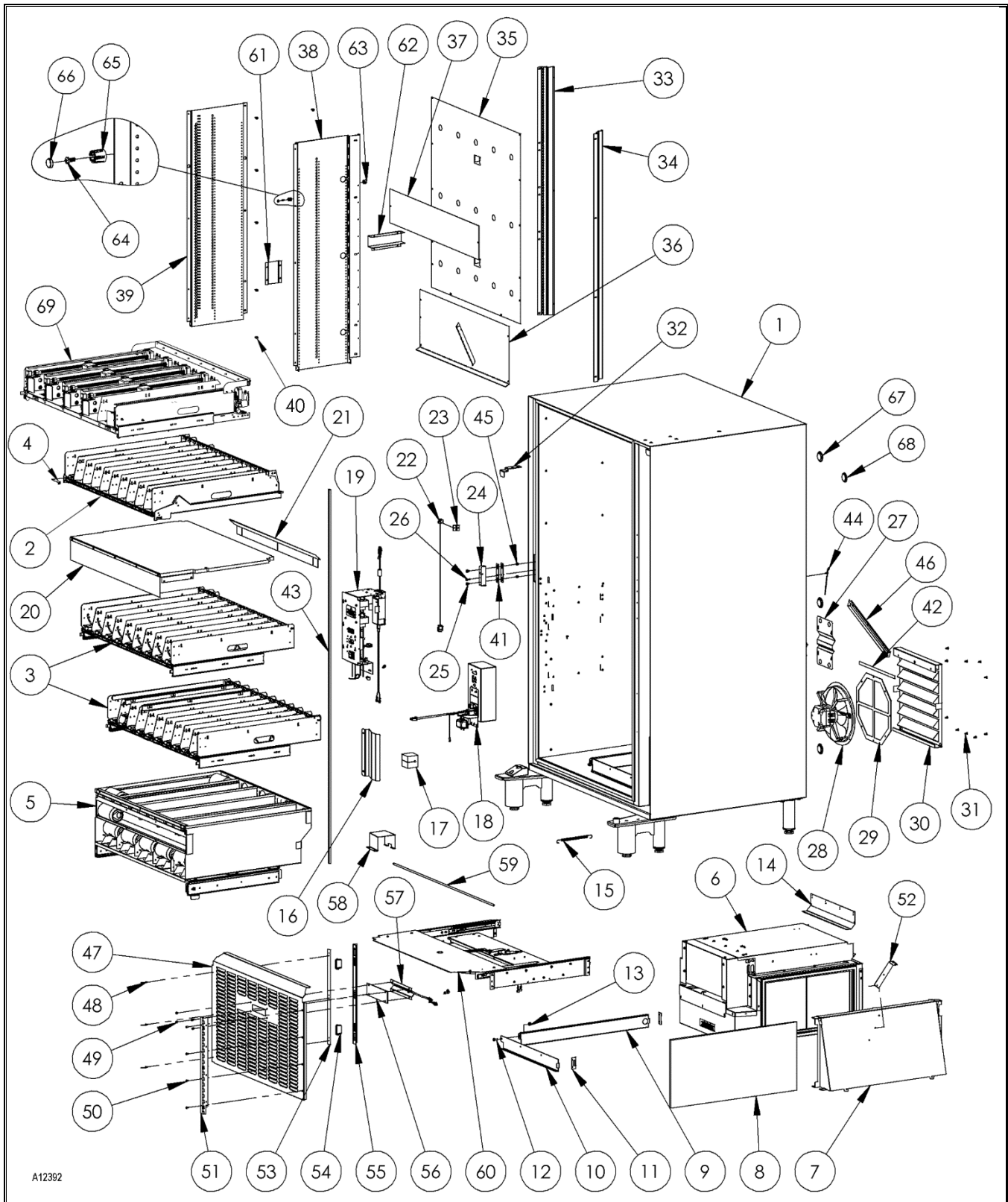
OPTICAL SENSOR ASSEMBLY PARTS LIST

ITEM NO.	PART NUMBER	3629/ 3629A	3630/ 3630A	DESCRIPTION
1	4219020	1	1	OPTICAL SWITCH PCB
2	4223896	1	1	OPTICAL SWITCH PCB MOUNT
3	4220189	2	2	#4 X 1/4" PHILLIPS PAN HEAD PTRS ZN

* SPECIFY COLOR

AR AS REQUIRED

ELEVATOR CABINET ASSEMBLY



* SPECIFY COLOR

AR AS REQUIRED

ELEVATOR CABINET ASSEMBLY PARTS LIST

ITEM NO.	PART NUMBER	3629/ 3529A	3630/ 3630A	DESCRIPTION
1	*1221099.400XXX	1	1	CABINET FOAM ASSEMBLY/5W/BLACK
2	SEE PAGE #56	AR	AR	METAL SNACK TRAY ASSEMBLY
3	SEE PAGE #21	AR	AR	CAN/BOTTLE TRAY 10 SELECTION
		AR	AR	CAN/BOTTLE TRAY 9 SELECTION
4	4223603.001	AR	AR	#8 X 1/4" PHILLIPS TRUSS HEAD SCREW TYPE T
5	‡ SEE PAGE #23	AR	AR	HCCT ASSEMBLY/5W 355ML(12OZ)
		AR	AR	HCCT ASSEMBLY/5W 375ML
6	1221280	AR	AR	REFER MODULE-1/3HP/110VAC
	1221280.001	AR	AR	REFER MODULE-1/3HP/220VAC/50HZ
	1221280.002	AR	AR	REFER MODULE-1/3HP/110VAC/HEATER SEE PAGE #29
	1221280.003	AR	AR	REFER MODULE-1/3HP/230VAC 60HZ
	1221280.004	AR	AR	REFER MODULE-1/3HP/110VAC R513A
7	1217911.000330	1	1	INTAKE HOOD FILTER RACK
8	4227379	1	1	12 x 25 x 1/2" WASHABLE FILTER
9	4221776	1	1	SIDE REFER HOLD DOWN
10	4221775	1	1	FRONT REFER HOLD DOWN
11	4217512	2	2	REFER HOLD DOWN RETAINER
12	4217354	1	1	1/4-20 X 5/8 PHILLIPS PAN HEAD MACHINE SCREW
13	4050496	1	1	1/4-20 HEX 2 WAY LOCK NUT
14	4215799.000330	1	1	AIR BAFFLE BACK
15	8361468	1	1	SPRING BAR RETAINER
16	4220653.000330	1	1	COIN MECH PUSHER
17	4214006	2	2	HARNES INSULATION BLOCK
18	SEE PAGE #18	1	1	CONNECTION BOX ASSEMBLY/110VAC
		1	1	CONNECTION BOX ASSEMBLY/220VAC
19	SEE PAGE #59	1	1	POWER BOX ASSEMBLY/110VAC
		1	1	POWER BOX ASSEMBLY/220VAC
20	1221326	-	1	BARRIER ASSEMBLY- 4" TALL EVOKE DZ 5 SEE PAGE #35
	1221327	-	-	BARRIER ASSEMBLY- 4" TALL EVOKE DZ 3
21	4217386	1	1	AIR DEFLECTOR/5W
22	4214684	1	1	TEMPERATURE SENSOR
23	4219708	1	1	SENSOR MOUNT
24	1219189	1	1	LATCH MOUNT ASSEMBLY
25	8810035.001	2	2	#10-24X1" PHILLIPS TRUSS HEAD MACHINE SCREW
26	8810017	1	1	10-16 x 5/8 HEX WASHER HEAD TEK SCREW
27	4213448.000330	1	1	CONNECTION BOX COVER
28	1216861.004	1	1	CONDENSOR FAN ASSEMBLY/110VAC SEE PAGE #34
	1216861.001	1	1	CONDENSOR FAN ASSEMBLY/220VAC
29	1219173	1	1	SCREEN WELD
30	4215819	1	1	BACK SCREEN COVER
31	8800638	6	6	10-16X3/8 PHILLIPS PAN HEAD SCREW TYPE-B
32	4217698	1	1	SWITCH ACTIVATOR

* SPECIFY COLOR

AR AS REQUIRED

ITEM NO.	PART NUMBER	3629/ 3529A	3630/ 3630A	DESCRIPTION
33	4227495	1	1	BACK RAIL SUPPORT – LH
34	4227494	1	1	BACK RAIL SUPPORT - RH
35	4217498.000330	1	-	SZ AIR BLOCK-5W
36	4217496.000330	1	1	BOTTOM AIR BLOCK-5W
37	4217497.000330	-	1	MIDDLE AIR BLOCK-5W
38	4223184.000330	1	1	RAIL SUPPORT-RH NO HIGH CAPACITY TRAY
38a	‡ 4218700.000330	1	1	TOP - RAIL SUPPORT-RH ONE HIGH CAPACITY TRAY
38b	‡ 4219959.000330	1	1	BOTTOM - RAIL SUPPORT-RH
39	4218715.000330	1	1	RAIL SUPPORT-LH NO HIGH CAPACITY TRAY
39a	‡ 4218699.000330	1	1	TOP - RAIL SUPPORT-LH ONE HIGH CAPACITY TRAY
39b	‡ 4219958.000330	1	1	BOTTOM - RAIL SUPPORT-LH
40	4050202.001	AR	AR	#8 x 1/2 PHILLIPS HEX WASHER HEAD TEK SCREW
41	4225991	2	2	LATCH MOUNT SPACER
42	4209845	2.3 FT	2.3 FT	PROTECTIVE WINDOW SEAL 1/2"
43	4211555	5.5 FT	5.5 FT	BEVELED FOAM GASKET
44	4213784	1	1	PUSH BUTTON WIRE TIE
45	4215383	2	2	10-24 HEX NUT INSERT
46	4222434.000330	1	1	CONDENSER FAN HARNESS COVER
47	4227745.000330	1	1	STORAGE/SECURITY COVER
48	4050667.011	3	3	1/8X .125 POP RIVET
49	4215561.036	4	4	SNAP RIVET – 3/16"
50	4050423.001	AR	AR	8-18 X 1/2 PHILLIPS PAN HEAD TYPE A SCREW
51	4219296	1	1	STORAGE SECURITY COVER HINGE
52	4219790	1	1	DOOR SPRING RETAINER
53	4219634	1	1	STORAGE SECURITY DOOR STIFFENER
54	4218850	2	2	MAGNETIC LATCH
55	4218859.000330	1	1	L BRACKET – DOOR STOPPER
56	4227747	1	1	LED LENS – SECURITY PANEL
57	SEE PAGE #58	1	1	LED ASSEMBLY – LOUVER PANEL
58	4220297.000330	1	1	COINBOX SUPPORT
59	4218849.000330	1	1	PRODUCT DEFLECTOR ROD
60	SEE PAGE #61	1	1	BAFFLE ASSEMBLY
61	‡ 4219982.000330	AR	AR	TRAY HARNESS COVER
62	4219949.000330	AR	AR	FILLER BRACKET FOR C&B TRAY (FOR EACH #3a &3b)
63	4223368	AR	AR	SPLIT BUSHING - TRAY HARNESS
64	4050120	AR	AR	6-32 X 5/16 PHILLIPS PAN HEAD TYPE 23 SCREW
65	4221472	AR	AR	TRAY MAGNET MOUNT
66	4218906	AR	AR	MAGNET 3/8" DIA. X 1/8" THK
67	7250135.000	3	3	HOLE PLUG – Ø 1 3/8"
68	7250135.010	1	1	HOLE PLUG – Ø 1 1/4"
69	SEE PAGE #25	AR	AR	PUSH-IT TRAY ASSEMBLY

* SPECIFY COLOR

AR AS REQUIRED

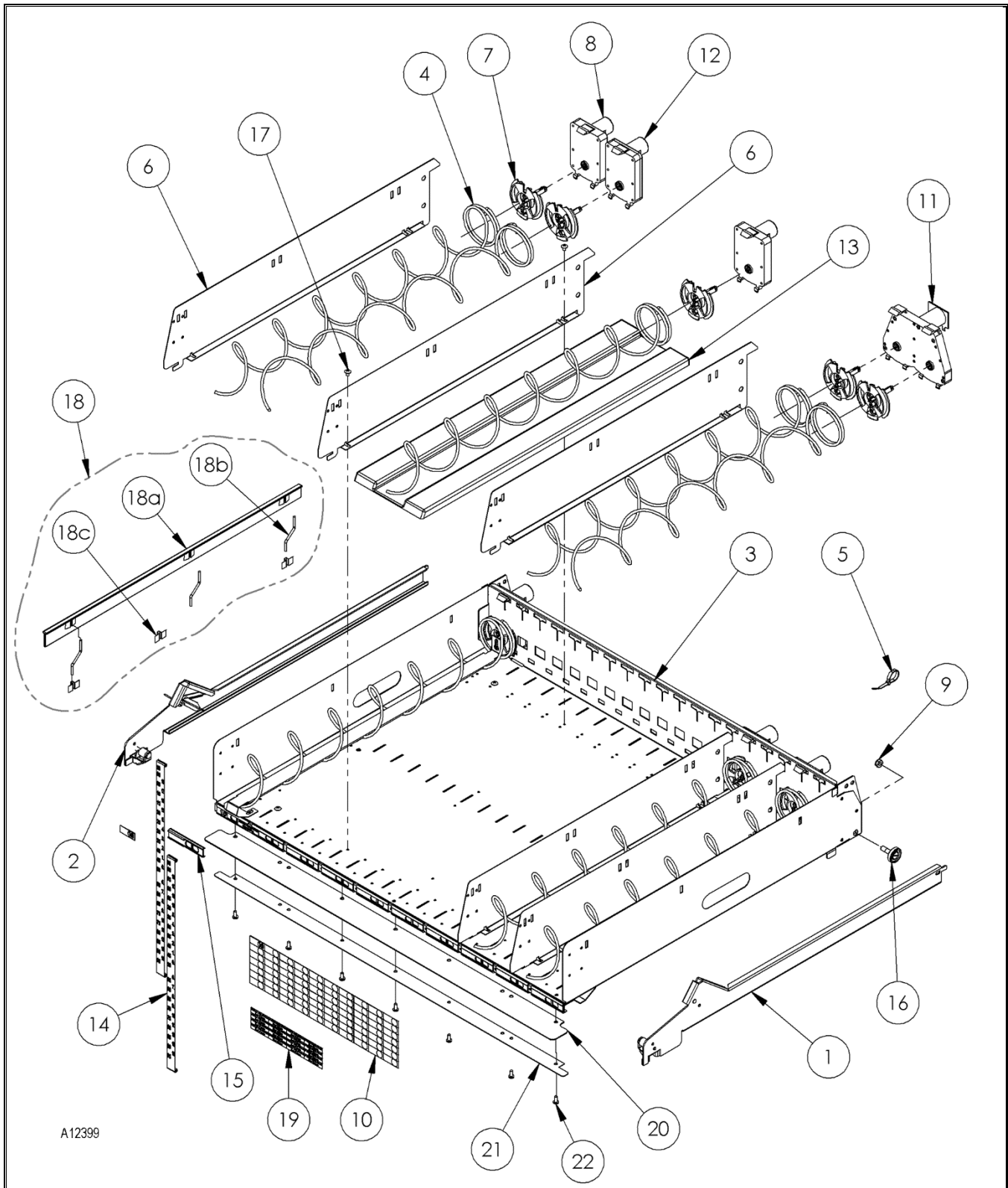
ITEM NO.	PART NUMBER	3629/ 3529A	3630/ 3630A	DESCRIPTION
----------	-------------	----------------	----------------	-------------

LIST OF PARTS NOT SHOWN

R.3994		5 FT	5 FT	SEAL-MASTIC PERMAGUM
4220399		1	1	POWER HARNESS
4227712		1	1	MAIN HARNESS – ELEVATOR
4220406		1	1	GROUND SYMBOL DECAL
4219109		1	1	OPTICAL SWITCH HARNESS
4219118		1	1	MOTOR/ENCODER/DETECTOR HARNESS
‡ 4222001		1	1	TRAY EXTENSION HARNESS

‡ #38a, 38b, 39a, 39b, 61 & 4222001 REQUIRED FOR #5 HIGH CAPACITY CAN TRAY (OPTIONAL).

METAL SNACK TRAY ASSEMBLY



A12399

* SPECIFY COLOR

AR AS REQUIRED

METAL SNACK TRAY ASSEMBLY PARTS LIST

ITEM NO.	PART NUMBER	3629/ 3629A	3630/ 3630A	DESCRIPTION
1	1215925.000330	AR	AR	RAIL ASSEMBLY RIGHT
2	1215925.001330	AR	AR	RAIL ASSEMBLY LEFT
3	1219297.000330	AR	AR	SNACK METAL TRAY WELD
4	SEE PAGE #77	AR	AR	SPIRALS
5	4203509	AR	AR	CABLE TIE
6	4224798.000330	AR	AR	DIVIDER
7	4216378	AR	AR	SPIRAL ADAPTER
8	4216379.004	AR	AR	MOTOR SNAP-IN 360° CCW
9	4216407	AR	AR	1/4 NUT W/NYLON WASHER
10	4226604	AR	AR	SELECTION IDENTIFICATION SHEET
11	4217527	AR	AR	SNAP-IN DUAL MOTOR
12	4219956	AR	AR	SNAP-IN MOTOR 360° CW
13	4220006	AR	AR	HELIX RETAINER - STEEL SNACK TRAYS
14	4222058	AR	AR	PRICE SCROLL - (PAIR 0.05-19.95)
	4224368	AR	AR	PRICE SCROLL - (PAIR 1-8, 100-900) - (OPTIONAL)
15	4225808	AR	AR	SCROLL & LABEL HOLDER
16	4223241	AR	AR	ROLLER & HUB ASSEMBLY - METAL TRAY
17	4223603.001	AR	AR	8-32X1/4 PHILLIPS TRUSS HEAD TYPE-23 ZN
18	1215390	AR	AR	SPACER KIT
18a	8370660.5	AR	AR	SPACER
18b	8370998	AR	AR	SUPPORT-SPACER
18c	4200281	AR	AR	SPRING CLIP
19	4226153	AR	AR	PRESS SELECTION FOR PRICE/ENGL (16) (ENGLISH)
	4226153.001	AR	AR	PRESS SELECTION FOR PRICE/ENGL (16) (SPANISH)
	4226153.002	AR	AR	PRESS SELECTION FOR PRICE/ENGL (16) (FRENCH)
20	4218935	AR	AR	TRAY EXTENSION
21	4218936	AR	AR	TRAY EXTENSION WASHER PLATE
22	4050239.001	AR	AR	8-32X3/8 PHILLIPS PAN HEAD TYPE-23/BLACK

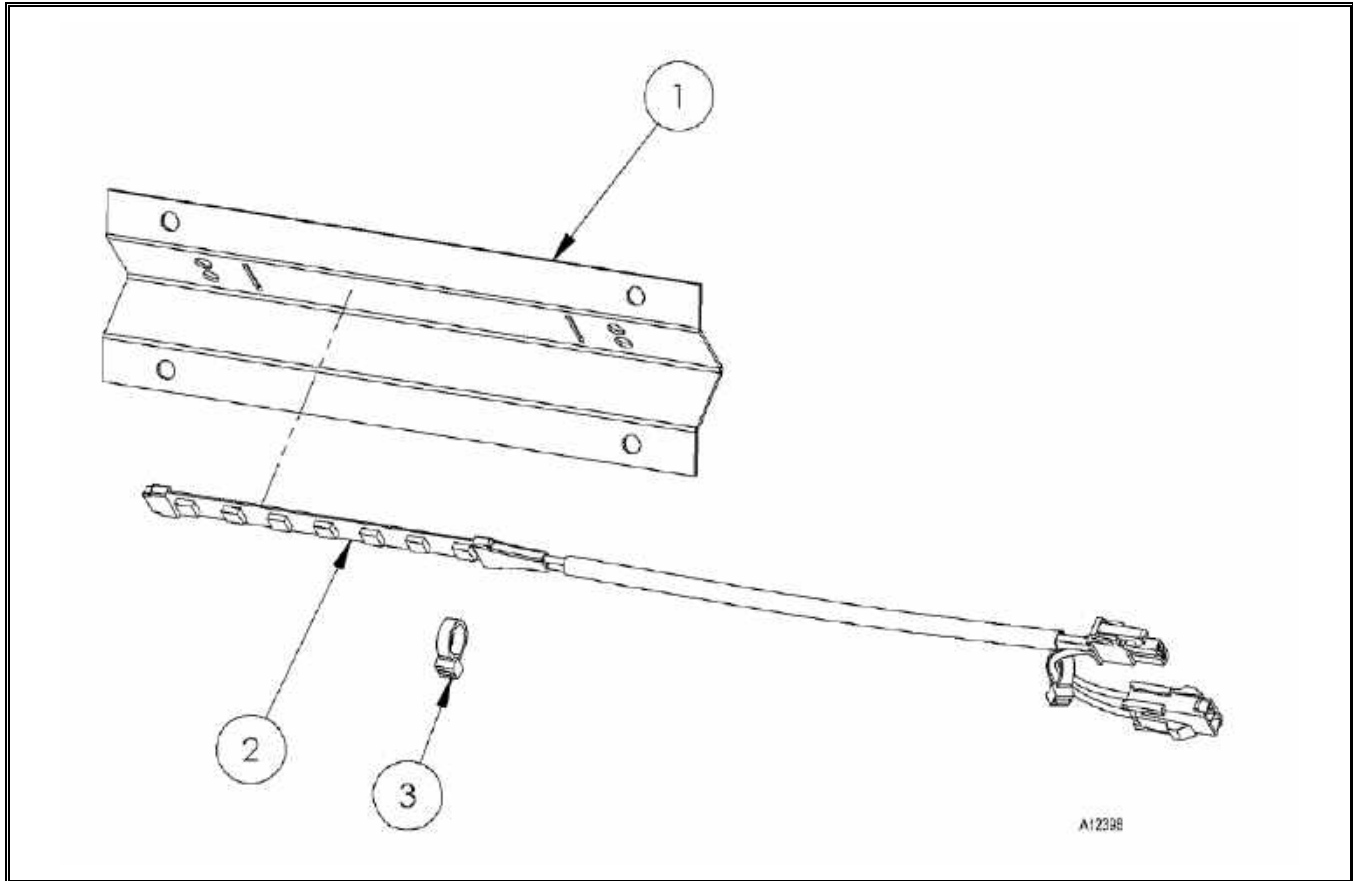
LIST OF PARTS NOT SHOWN

	4222709.005	AR	AR	TRAY HARNESS 5W
--	-------------	----	----	-----------------

* SPECIFY COLOR

AR AS REQUIRED

LED ASSEMBLY - LOUVER PANEL



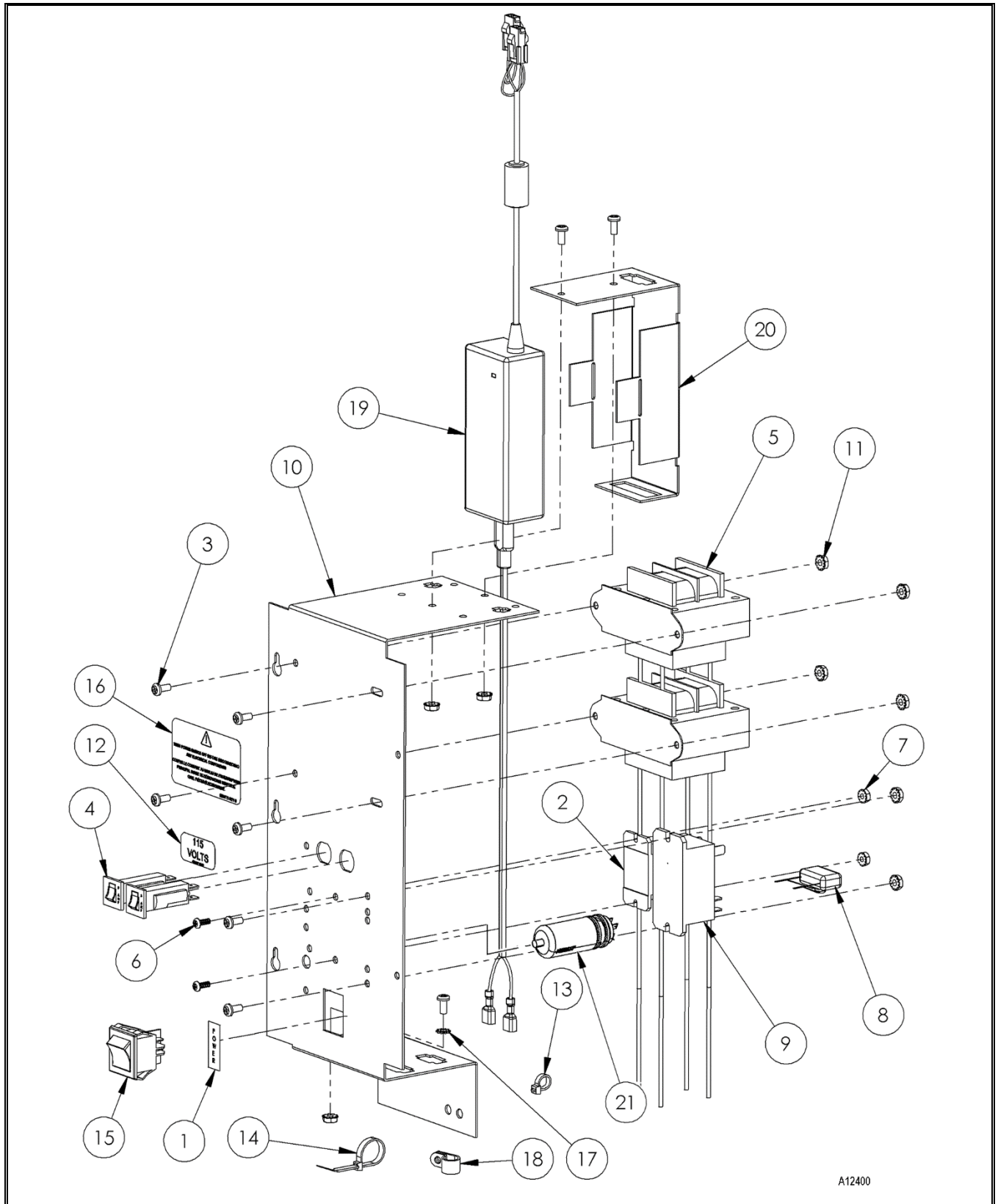
LED ASSEMBLY - LOUVER PANEL PARTS LIST

ITEM NO.	PART NUMBER	3629/ 3529A	3630/ 3626A	DESCRIPTION
1	4227746.000309	1	1	LED STRIP MOUNT
2	4225208	1	1	LED STRIP – 24VDC
3	4033704	1	1	WIRE TIE – SMALL

* SPECIFY COLOR

AR AS REQUIRED

ELEVATOR POWER BOX ASSEMBLY



A12400

* SPECIFY COLOR

AR AS REQUIRED

ELEVATOR POWER BOX ASSEMBLY

ITEM NO.	PART NUMBER	3629/ 3630	3629A/ 3630A	INMETRO BRAZIL	DESCRIPTION
1	4212527	1	1	1	POWER LABEL
2	4216013	1	1	-	MINI RELAY SPST, 24VDC
3	4050240	10	10	10	8-32 x .375 PHILLIPS PAN HEAD MS
4	4203467.003	2	2	2	3 AMP CIRCUIT BREAKER
	4206570.007	2	-	-	TRANSFORMER,110V INPUT/24V OUT
5	4206570.001	-	2	-	TRANSFORMER, 230V INPUT/24V OUT
	4222353.001	-	-	2	TRANSFORMER, 230V 60HZ/24V OUT
6	8800060	2	2	2	6-32 x 3/8 PHILLIPS PAN HEAD MS
7	8800955	2	2	2	6-32 HEX NUT W/EXTERNAL TOOTH LOCK WASHER
	1216357	1	-	-	ARC SUPPRESSOR SNUBBER 110V
8	1216357.001	-	1	-	ARC SUPPRSSR SNUBBER 220V
	4222354.001	-	-	1	ARC SUPPRSSR SNUBBER 220V 60HZ
9	4206643	1	1	1	RELAY DPST 24 VAC/DC30A
10	4218939	1	1	1	ELEVATOR POWER BOX
11	8800956	9	9	9	8-32 HEX NUT W/EXTERNAL TOOTH LOCK WASHER
12	4205057	1	-	-	WARNING LABEL – 115 VOLTS
	4205057.001	-	1	1	WARNING LABEL 230 VOLTS
13	4033704	2	2	2	CABLE TIE
14	4033712	1	1	1	CABLE TIE 7 3/8"
15	4213627	1	1	1	SWITCH-DOUBLE POLE
16	8620711	1	1	1	POWER SWITCH WARNING
17	4050585	1	1	1	#8 EXT TOOTH LOCKWSHR
18	8324099.4	1	1	1	CLAMP-3/8 X 1/2
19	4226805	1	1	1	24VDC POWER SUPPLY
20	4221934	1	1	1	LED POWER SUPPLY MOUNT
21	4228077	-	1	1	10MF CAPACITOR GLS HEATER 220V

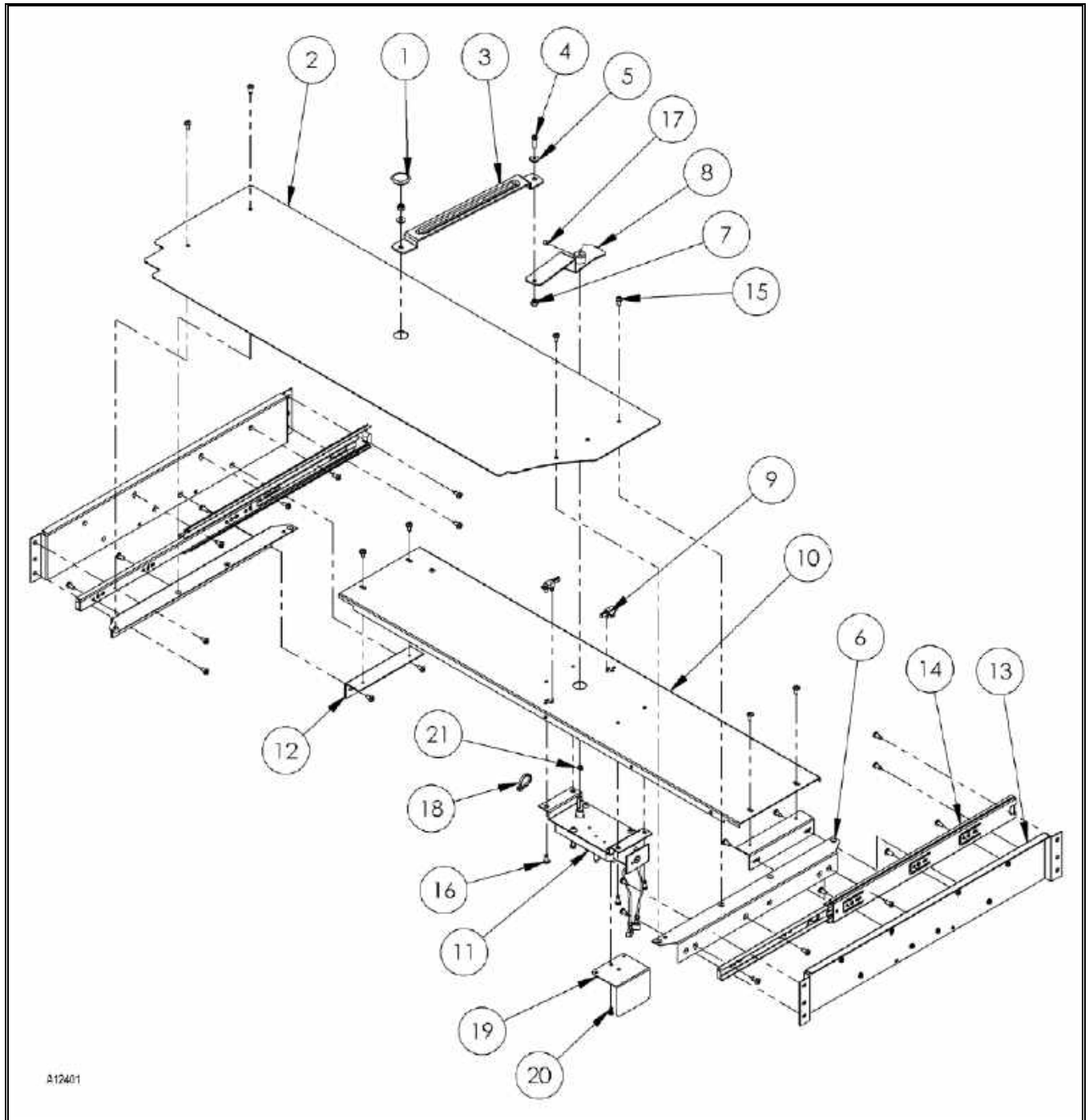
LIST OF PARTS NOT SHOWN

	4227995	1	1	1	CABINET CONTROL HARNESS
	4219088	1	1	1	POWER BOX/RELAY SECONDARY HARNESS
	4227993	1	1	1	POWER BOX/RELAY PRIMARY HARNESS
	4217712	1	1	1	DUAL TRANSFORMER JUMPER
	4222072	1	1	1	LED POWER SUPPLY JUMPER
	4222642	1	1	1	CONDENSER FAN HARNESS
	4222954	-	-	1	ELEVATOR TUV POWER HARNESS
	4228078	-	1	1	CAPACITOR HARNESS 220V GLASS

* SPECIFY COLOR

AR AS REQUIRED

BAFFLE ASSEMBLY



A12401

* SPECIFY COLOR

AR AS REQUIRED

BAFFLE ASSEMBLY PARTS LIST

ITEM NO.	PART NUMBER	3629/ 3629A	3630/ 3630A	DESCRIPTION
1	7250135.003	1	1	HOLE PLUG, BPF-3/4"
2	1218503.000330	1	1	BAFFLE WELD
3	4218709	1	1	SLIDER LINK SECURITY BAFFLE
4	4050251	1	1	8-32X5/8 PHILLIPS PAN HEAD MS
5	4030100.003	2	2	BUSHING-SPACER
6	4220311.000330	2	2	BAFFLE & RAIL MOUNT BRACKET
7	4210384	2	2	8-32 NYLOK NUT
8	1218738.400	1	1	CRANK & BUSHING WITH GRUB SCREW
9	4219019	2	2	SNAP-FIT SWITCH
10	4218713.000330	1	1	MOTOR FIXING BRACKET
11	4220017	1	1	BAFFLE MOTOR (16.5 RPM)
12	4219280.000330	2	2	MOTOR BRACKET SUPPORT
13	4220312.000330	2	2	BAFFLE ASSEMBLY MOUNTING
14	4218100	2	2	TELESCOPIC SLIDE
15	4050423.001	32	32	8-18X3/8 PHILLIPS PAN HEAD TY-A/BLACK
16	4050239	25	25	8-32X3/8 PHILLIPS PAN HEAD TY-T
17	4220011	1	1	10-32 x 1/4" SOCKET SET SCREW
18	4033712	4	4	CABLE TIE 7 3/8"
19	4220396	1	1	BAFFLE MOTOR COVER
20	4050120	1	1	6-32X5/16 PHILLIPS PAN HEAD TYP
21	4223543	1	1	1/4 " EXTERNAL RETAINING RING

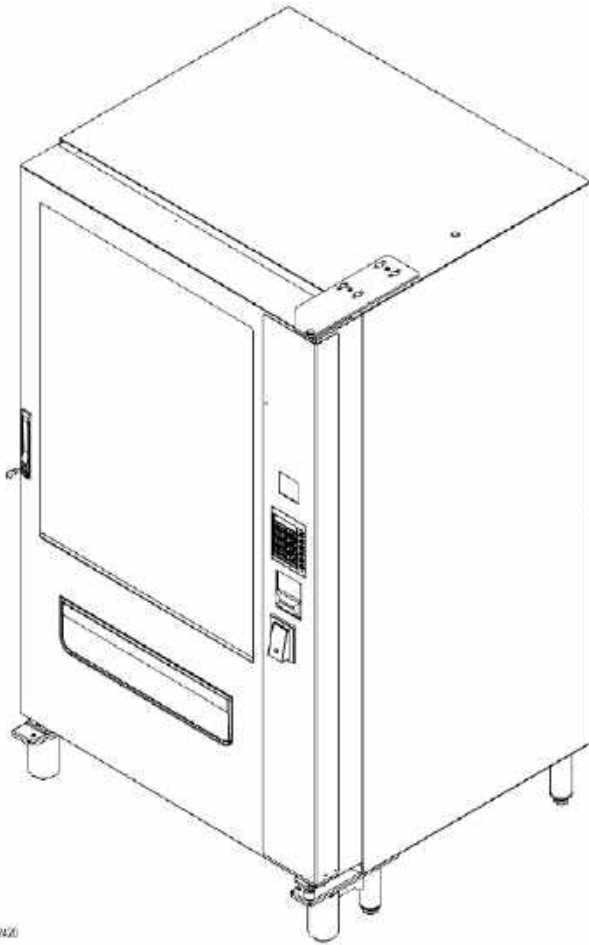
* SPECIFY COLOR

AR AS REQUIRED



SUPPLY DISPENSER

(SD5000-R/SD3000-R/SD5000-E)



A12420

MODELS:

SD3000-R

ST – 3623, 3623A

VT 3 – 3624, 3624A

SD5000-R

ST 5 – 3625, 3625A

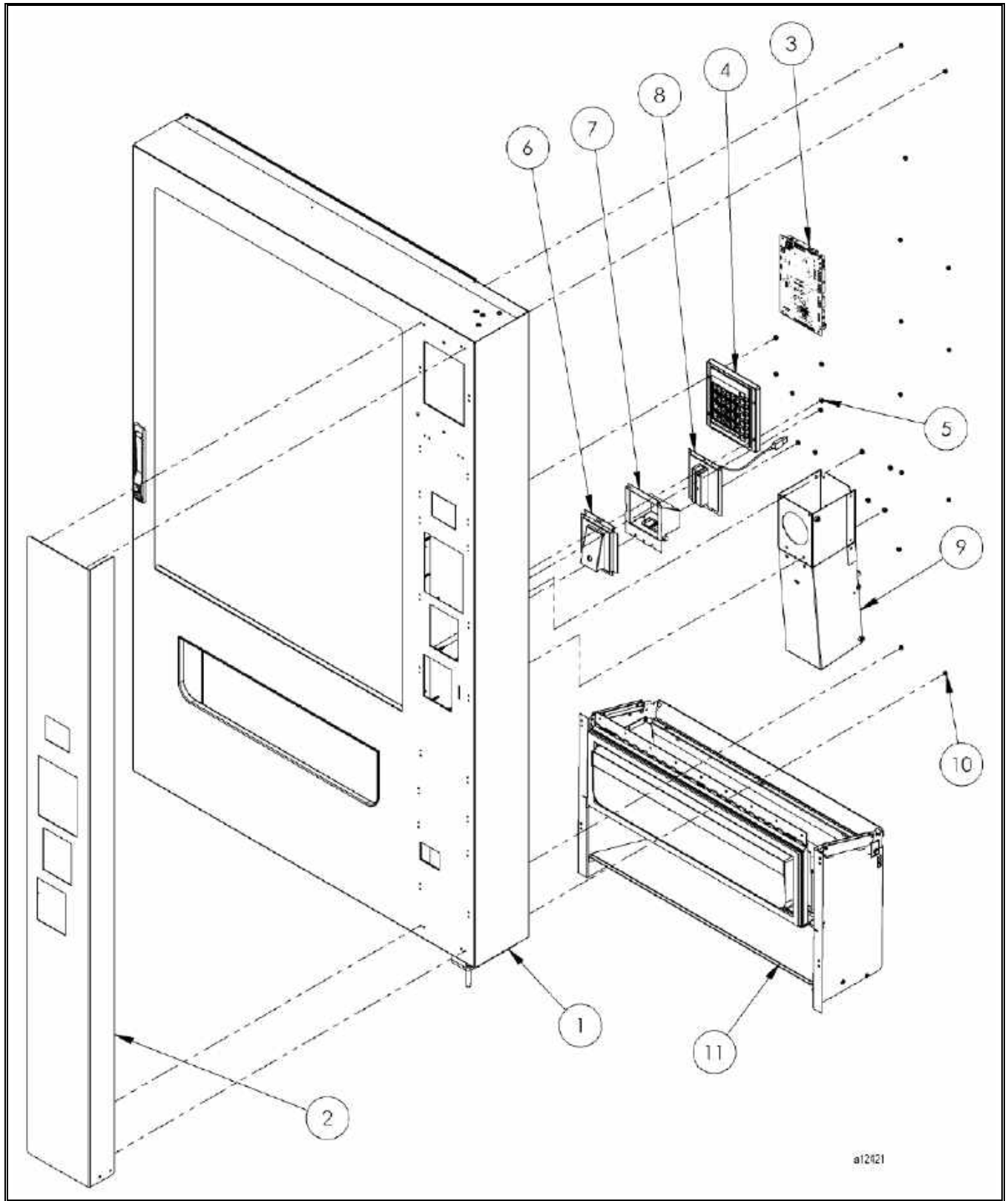
VT 5 – 3626, 3626A

SD5000-E

ST 5 – 3629, 3629A

VT 5 – 3630, 3630A

DOOR ASSEMBLY (SD5000-R/SD3000-R/SD5000-E)



* SPECIFY COLOR

AR AS REQUIRED

DOOR ASSEMBLY (SD5000-R/SD3000-R/SD5000-E) PARTS LIST

ITEM NO.	PART NUMBER	3623/ 3624	3625/ 3626	3630/ 3630A	DESCRIPTION
	* 1221096.401330	-	1	-	DOOR FOAM ASSEMBLY W/BEZEL – 5R
1	* 1221168.401330	1	-	-	DOOR FOAM ASSEMBLY W/BEZEL – 3R
	* 1221182.401330	-	-	1	DOOR FOAM ASSEMBLY W/BEZEL – ELEVATOR
2	4228073.001330	1	1	1	SELECTOR PANEL COVER/EVOKE R
3	4227568	1	1	1	VMC CONTROL BOARD W/ETHERNET - **W/ITEM #4
4	1221149.401	1	1	1	EVOKE KEYPAD ASSEMBLY/NO COIN
5	8800956	AR	AR	AR	#8-32 HEX NUT W/EXTERNAL TOOTH LOCK WASHER
6	1221086.400	1	1	1	BARCODE READER INSTALL SEE PAGE #71
7	1221667.400	1	1	1	FINGERPRINT READER INSTALL SEE PAGE #70
8	1221654.400	1	1	1	MAG-STRIPE READER INSTALL SEE PAGE #72
9	1220683.400	1	1	1	TOOL RETURN INSTALL SEE PAGE #69
10	8800955	AR	AR	AR	#6-32 HEX NUT W/EXTERNAL TOOTH LOCK WASHER
11	SEE PAGE #67	1	1	-	NO-LIFT/ADA - DELIVERY BOX ASSEMBLY

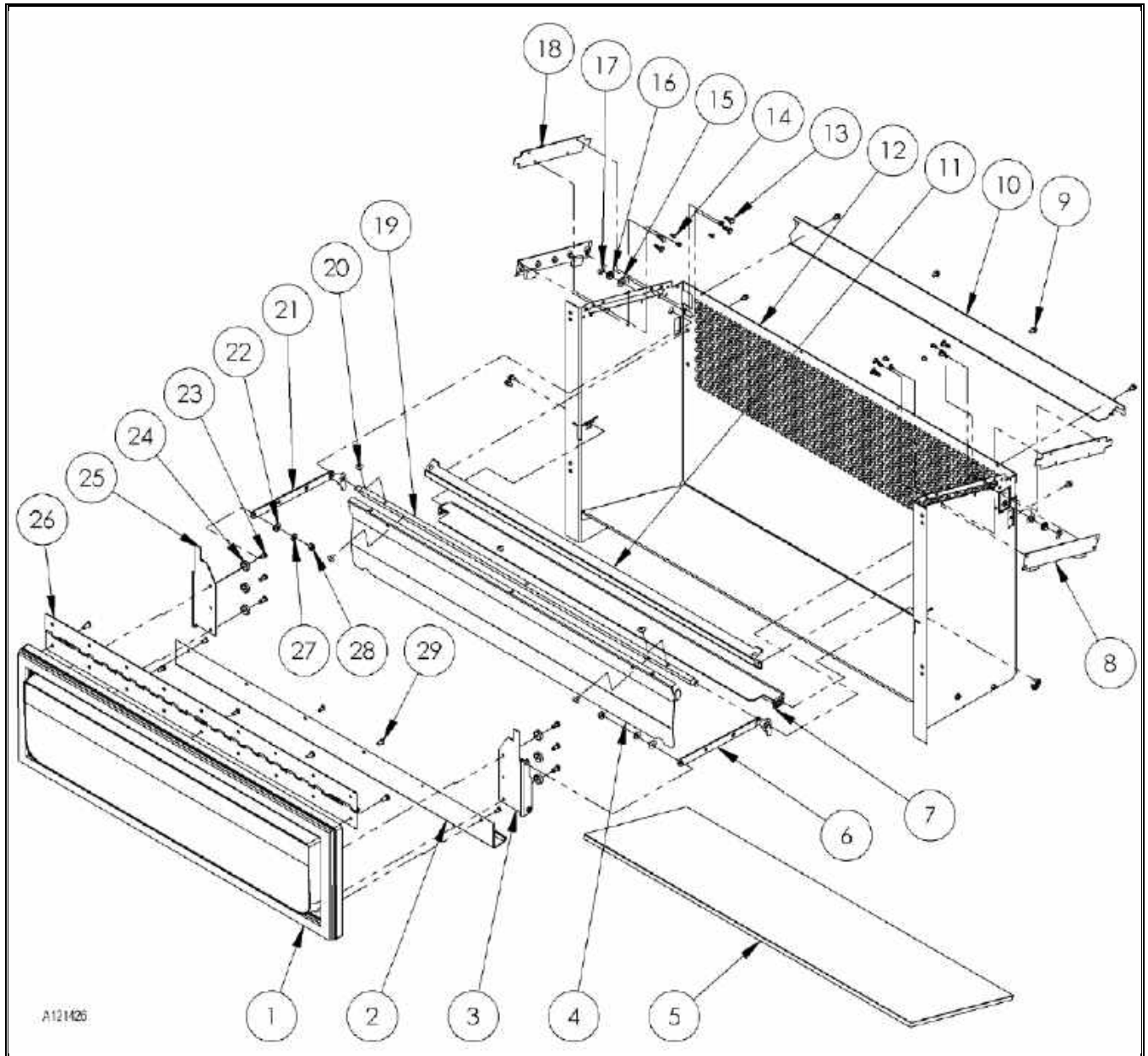
LIST OF PARTS NOT SHOWN

	4215548	1	1	1	10' ETHERNET CBL W/MALE-MALE
	4228443	1	1	1	MOTOR MATRIX/IVEND HARNESS TO CLIENT
	4228444	1	1	1	ROWS FOR PUSHIT - ADAPTER HARNESS
	SEE PAGE #3	AR	AR	-	DOOR ASSEMBLY PARTS (SD5000-R/SD3000-R)
	SEE PAGE #42	-	-	AR	ELEVATOR DOOR ASSEMBLY PARTS (SD5000-E)
	SEE PAGE #15	AR	AR	-	CABINET ASSEMBLY PARTS (SD5000-R/SD3000-R)
	SEE PAGE #52	-	-	AR	ELEVATOR CABINET ASSEMBLY PARTS (SD5000-E)

* SPECIFY COLOR

AR AS REQUIRED

NO LIFT/ADA DELIVERY BOX ASSEMBLY



NO LIFT/ADA DELIVERY BOX ASSEMBLY PARTS LIST

ITEM NO.	PART NUMBER	3625/ 3626	3623/ 3624	DESCRIPTION
1	1221121.415	1	-	DEL DOOR FOAM ASSY/EVOKE 5R – BRUSH ALUM
	1221121.425	1	-	DEL DOOR FOAM ASSY/EVOKE 5R – BLACK
	1221121.413	-	1	DEL DOOR FOAM ASSY/EVOKE 3R – BRUSH ALUM
	1221121.423	-	1	DEL DOOR FOAM ASSY/EVOKE 3R – BLACK
2	4223605.005	1	-	DELIVERY DOOR ANTI-CHEAT EXTRUSION/5W
	4223605.003	-	1	DELIVERY DOOR ANTI-CHEAT EXTRUSION/3W
3	4223609.002330	1	1	DEL DOOR SIDE BRACKET STAKE ASSEMBLY/RH

* SPECIFY COLOR

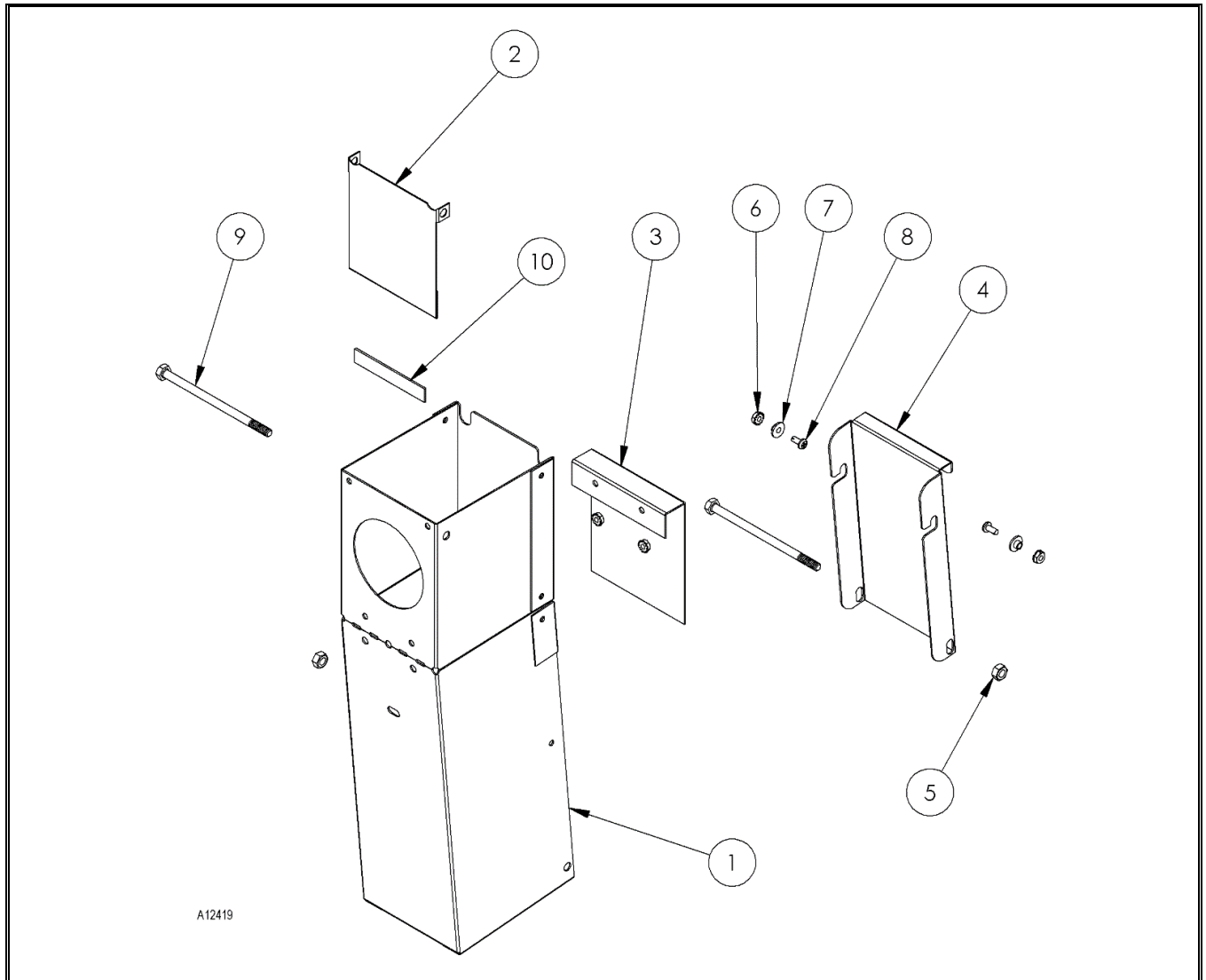
AR AS REQUIRED

ITEM NO.	PART NUMBER	3625/ 3626	3623/ 3624	DESCRIPTION
4	4223388.000330	1	-	DELIVERY ANTI-CHEAT BACK/5W
	4223786.000330	-	1	DELIVERY ANTI-CHEAT BACK/3W
5	4214960.010	1	-	DELIVERY PAD/EVOKE 5R
	4214960.011	-	1	DELIVERY PAD/EVOKE 3R
6	1219365.002	1	1	ANTI-CHEAT LINKAGE STAKE-LH
7	4223405.005330	1	-	DOOR OPENING ANTICHEAT-5W
	4223405.003330	-	1	DOOR OPENING ANTICHEAT-3W
8	4212464.010	1	1	DELIVERY SENSOR
9	4050420.001	16	16	8-18 X 1/4 PHILLIPS HEX WASHER HEAD TYPE B SCREW
10	4224840.005330	1	-	ANTI-CHEAT RAMP ADJUSTABLE-5W
	4224840.003330	-	1	ANTI-CHEAT RAMP ADJUSTABLE-3W
11	4223396.005330	1	-	IVEND HARNESS COVER/5W
	4223396.003330	-	1	IVEND HARNESS COVER/3W
12	4228830.005330	1	-	DELIVERY BOX WRAPPER/NO LIFT/EVOKE 5R
	4228830.003330	-	1	DELIVERY BOX WRAPPER/NO LIFT/EVOKE 3R
13	4220025.001	8	8	STANDOFF-5/16"
14	4215561.015	8	8	SNAP RIVET
15	8324353	2	2	5/16 ID FLAT WASHER
16	4025263.001	2	2	SNAP-IN NYLON BEARING
17	8801080	2	2	E-RING
18	4223902	2	2	I-VEND SENSOR LENS/ALPINE
19	4223388.000330	1	-	DELIVERY ANTI-CHEAT BACK/5W
	4223786.000330	-	1	DELIVERY ANTI-CHEAT BACK/3W
20	4050212	5	5	8-32 X 1/4" PHILLIPS PAN HEAD TYPE T SCREW
21	1219365.001	1	1	ANTI-CHEAT LINKAGE STAKE-RH
22	4030100.001	2	2	SPACER BUSHING
23	4050239.001	11	11	8-32 x 3/8" PHILLIPS PAN HEAD TYPE T SCREW
24	4215272	6	6	HINGED SCREW COVER
25	4223609.003330	1	1	DEL DOOR SIDE BRACKET STAKE ASSEMBLY/LH
26	4218636.001	1	-	CONTINUOUS HINGE W/SPRING/5W
	4218894.001	-	1	CONTINUOUS HINGE W/SPRING/3W
27	8801011	2	2	#8 FLAT WASHER
28	4210384	2	2	8-32 HEX NYLOCK NUT
29	4223757	4	4	8-32 X 3/8" PHILLIPS UNDERCUT FH TYP 23 ZN
LIST OF PARTS NOT SHOWN				
	4227643	1	1	LED POWER EXTENSION HARNESS

* SPECIFY COLOR

AR AS REQUIRED

TOOL RETURN OPTION



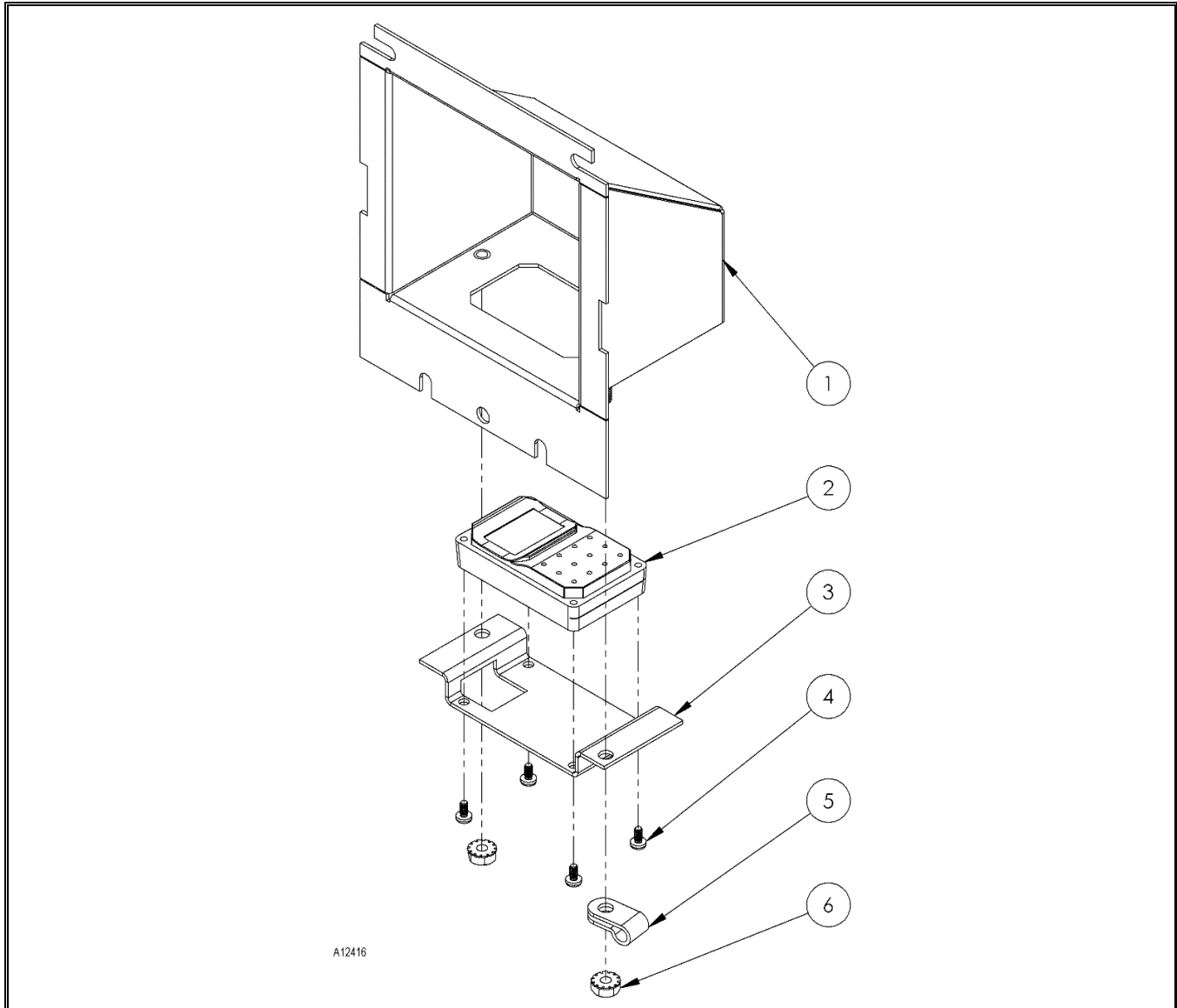
TOOL RETURN OPTION PARTS LIST

ITEM NO.	PART NUMBER	3535	3537	DESCRIPTION
1	1220724.000330	1	1	RETURN CHUTE BOX WELD
2	4226425.000330	1	1	RETURN CHUTE DOOR/ALPINE
3	4226426.000330	1	1	RETURN CHUTE FILLER/ALPINE
4	4226424.000330	1	1	RETURN CHUTE LOCK DOOR/ALPINE
5	4050496	2	2	1/4-20 NUT, TWO WAY LOCK
6	8800956	4	4	#8-32 HEX NUT W/EXTERNAL TOOTH LOCK WASHER
7	4030100.004	2	2	BUSHING-SPACER
8	4050239.001	2	2	8-32X3/8 PHILLIPS PAN HEAD TYPE-T
9	4222723	2	2	1/4-20 X 4 1/2" HHCS
10	4205328	1	1	.060 X .500 MAGNET

* SPECIFY COLOR

AR AS REQUIRED

FINGERPRINT READER OPTION



FINGERPRINT READER OPTION PARTS LIST

ITEM NO.	PART NUMBER	3535	3537	DESCRIPTION
1	4228840.002330	1	1	FINGERPRINT READER MOUNT
2	4228816	1	1	FINGERPRINT READER READER-IQ TECH
3	4228841.000330	1	1	FINGERPRINT READER COVER
4	4228819	4	4	M2.5-.45X5MM PHILLIPS PAN HEAD THREAD ROLLING SCREW
5	8324099.1	1	1	CLAMP - 3/8 X 3/16
6	8800955	2	2	6-32 HEX NUT W/ETW

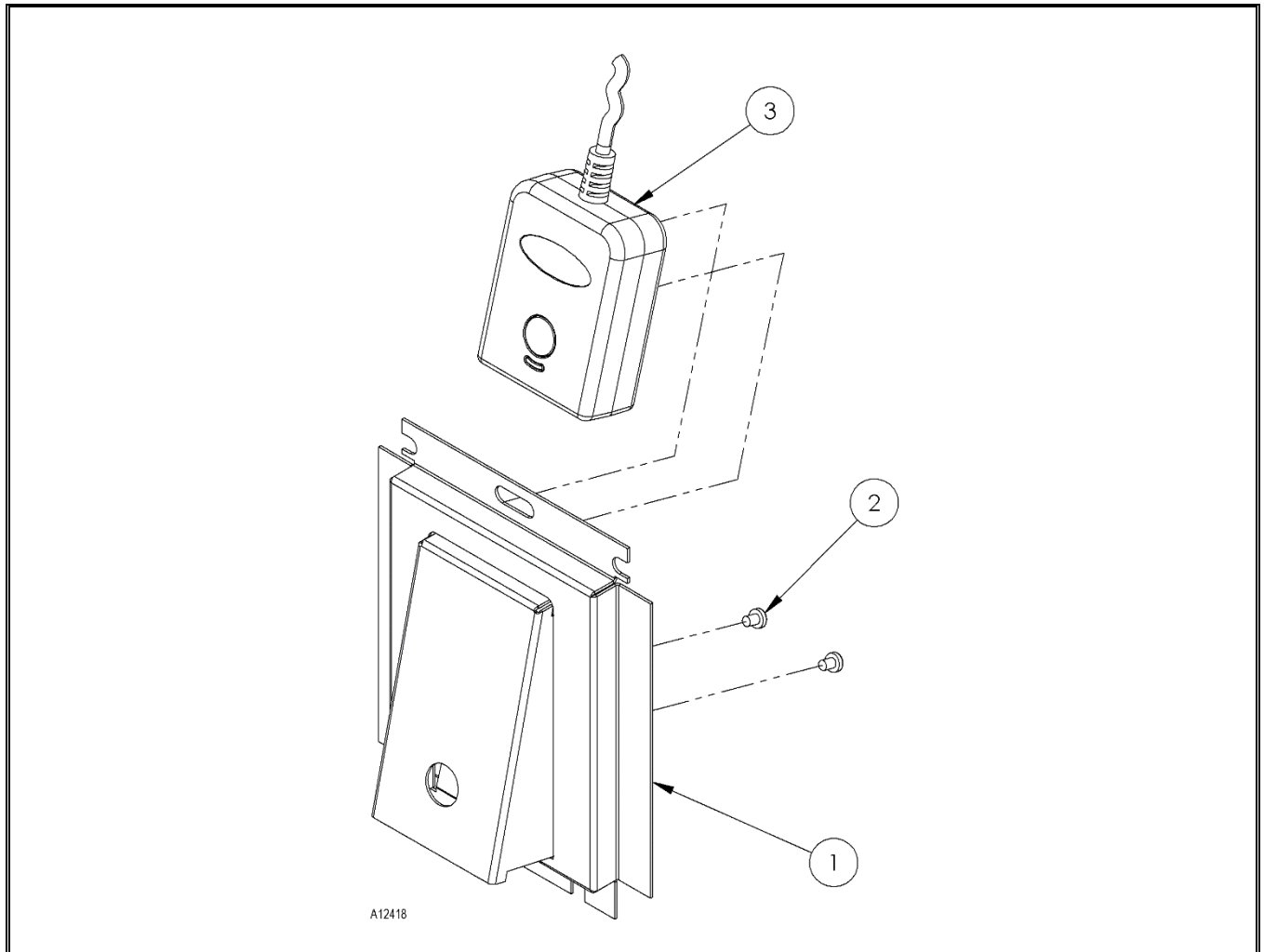
LIST OF PARTS NOT SHOWN

4228899	1	1	CBM USB CABLE - 2M LONG
---------	---	---	-------------------------

* SPECIFY COLOR

AR AS REQUIRED

BARCODE READER OPTION



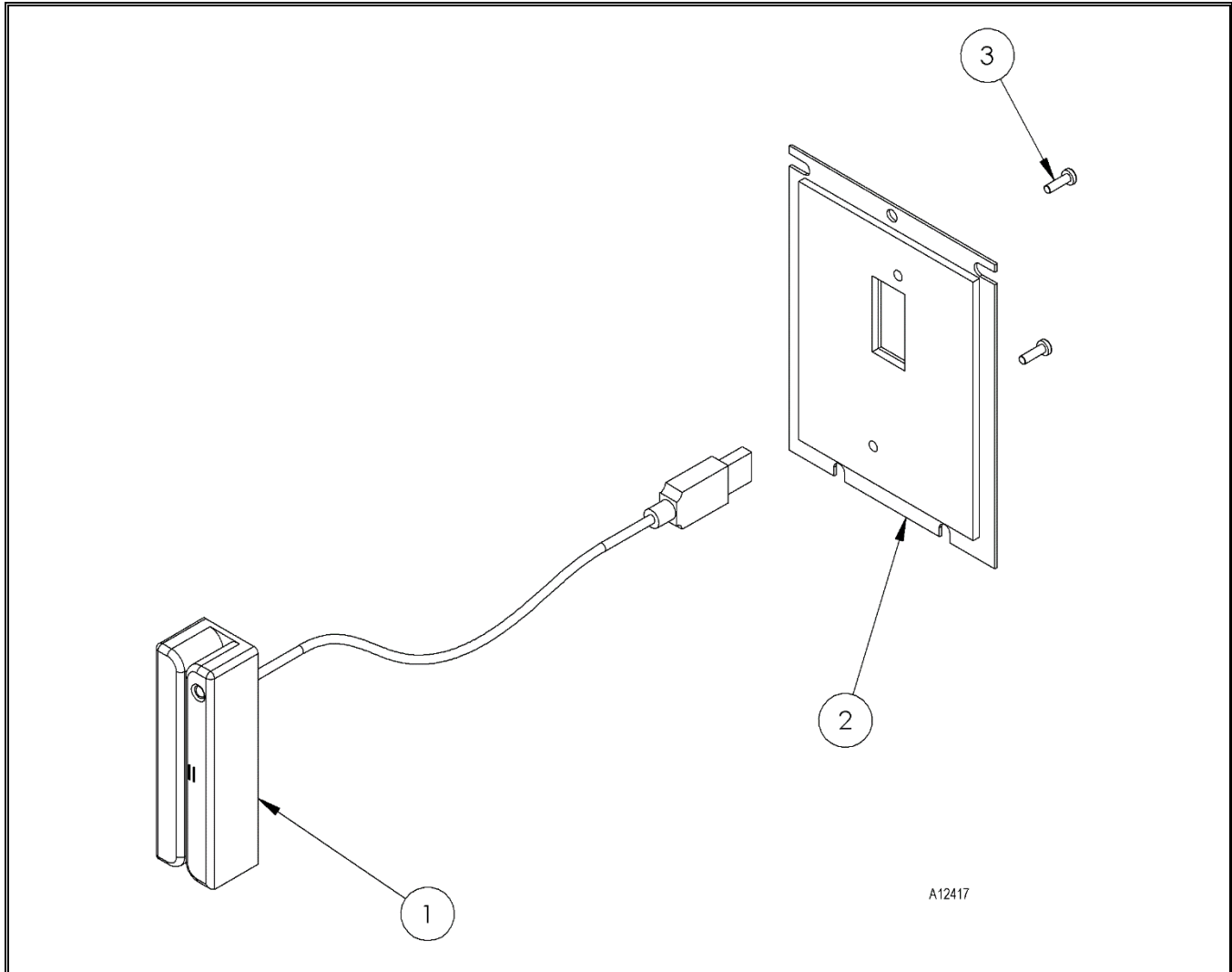
BARCODE READER OPTION PARTS LIST

ITEM NO.	PART NUMBER	3535	3537	DESCRIPTION
1	1220888.000330	1	1	BARCODE READER MOUNT WELD
2	4221184	2	2	M3 X 4MM PHIL PH MS
3	4227410	1	1	BARCODE READER - RT SCAN

LIST OF PARTS NOT SHOWN

4215548	1	1	10' ETHERNET CBL W/MALE-MALE
4215550	1	1	ETHERNET JACK

MAGSTRIPE READER OPTION



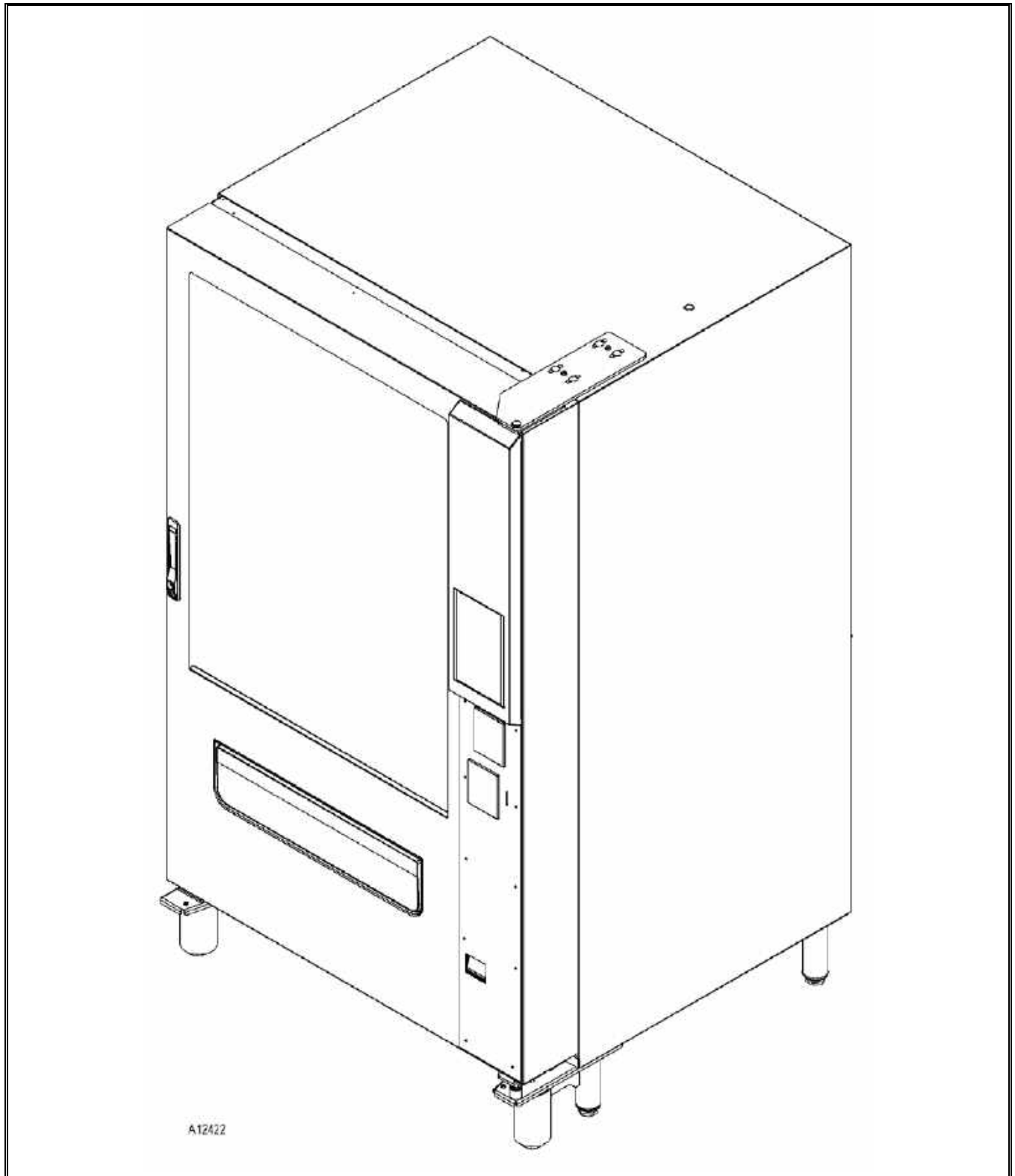
MAGSTRIPE READER OPTION PARTS LIST

ITEM NO.	PART NUMBER	3535	3537	DESCRIPTION
1	4228794	1	1	MAG-STRIPE READER-IQ TECH
2	1221653.000330	1	1	MAG-STRIPE READER-IQ-TECH MOUNT WELD
3	4224580	1	1	M3-0.5 X 10MM PHIL PH MS ZN

* SPECIFY COLOR

AR AS REQUIRED

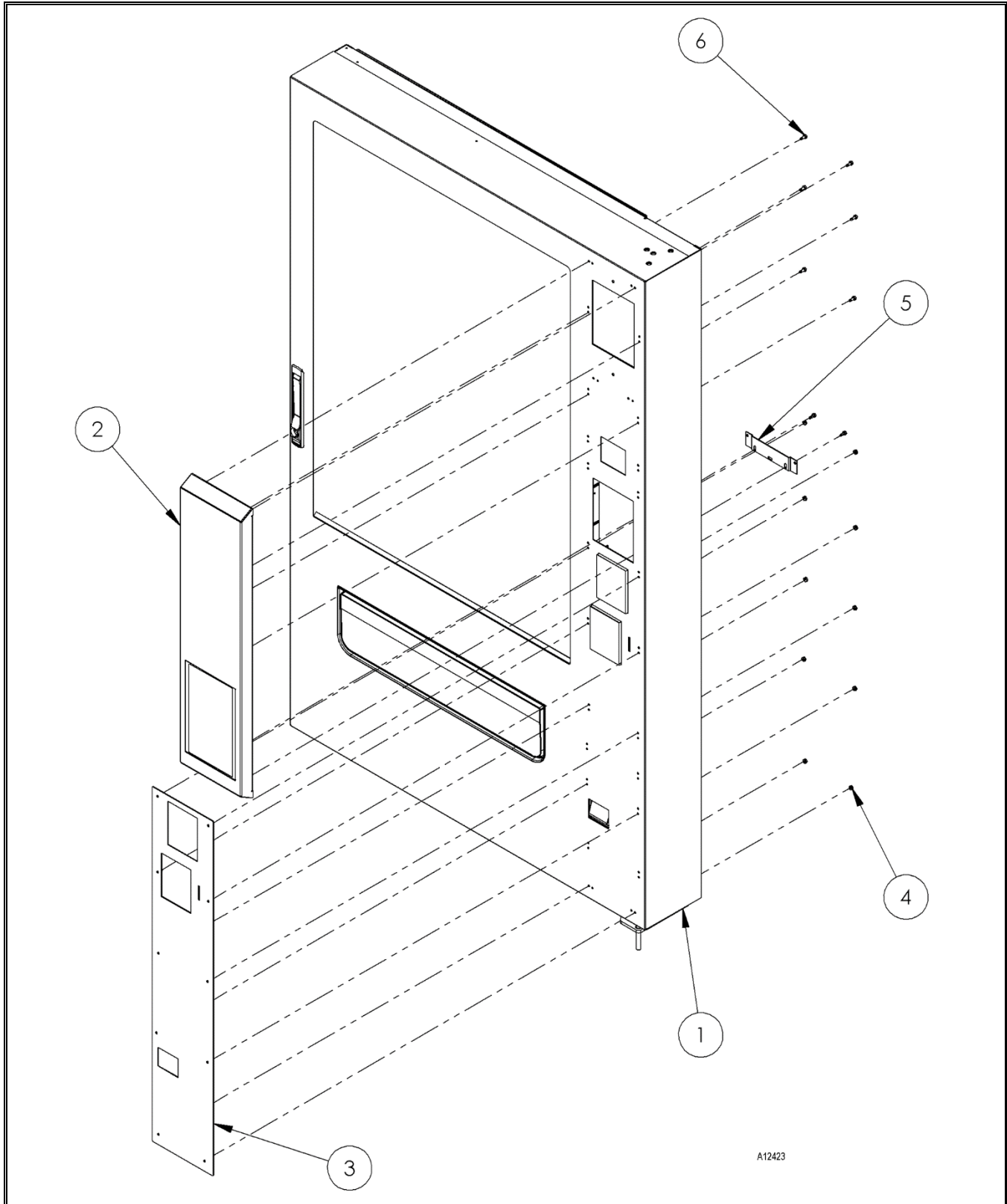
SD5000-R W/10.1" TOUCHSCREEN



* SPECIFY COLOR

AR AS REQUIRED

DOOR ASSEMBLY W/10.1" TOUCHSCREEN



A12423

* SPECIFY COLOR

AR AS REQUIRED

DOOR ASSEMBLY W/10.1" TOUCHSCREEN PARTS LIST

ITEM NO.	PART NUMBER	3623/ 3624	3625/ 3626	3630/ 3630A	DESCRIPTION
	* 1221096.401330	-	1	-	DOOR FOAM ASSEMBLY W/BEZEL – 5R
1	* 1221168.401330	1	-	-	DOOR FOAM ASSEMBLY W/BEZEL – 3R
	* 1221182.401330	-	-	1	DOOR FOAM ASSEMBLY W/BEZEL – ELEVATOR
2	SEE PAGE #74	1	1	1	10.1" TOUCHSCREEN INSTALLATION
3	4228516.001330	1	1	1	SELECTOR OVERLAY
4	8800955	AR	AR	AR	#6-32 HEX NUT W/EXTERNAL TOOTH LOCK WASHER
5	4228520.000330	1	1	1	10.1" TOUCHSCREEN BEZEL TIE BRACKET
6	4050202	AR	AR	AR	8-18X1/2 PHILLIPS HEX WASHER HEAD TEK SCREW

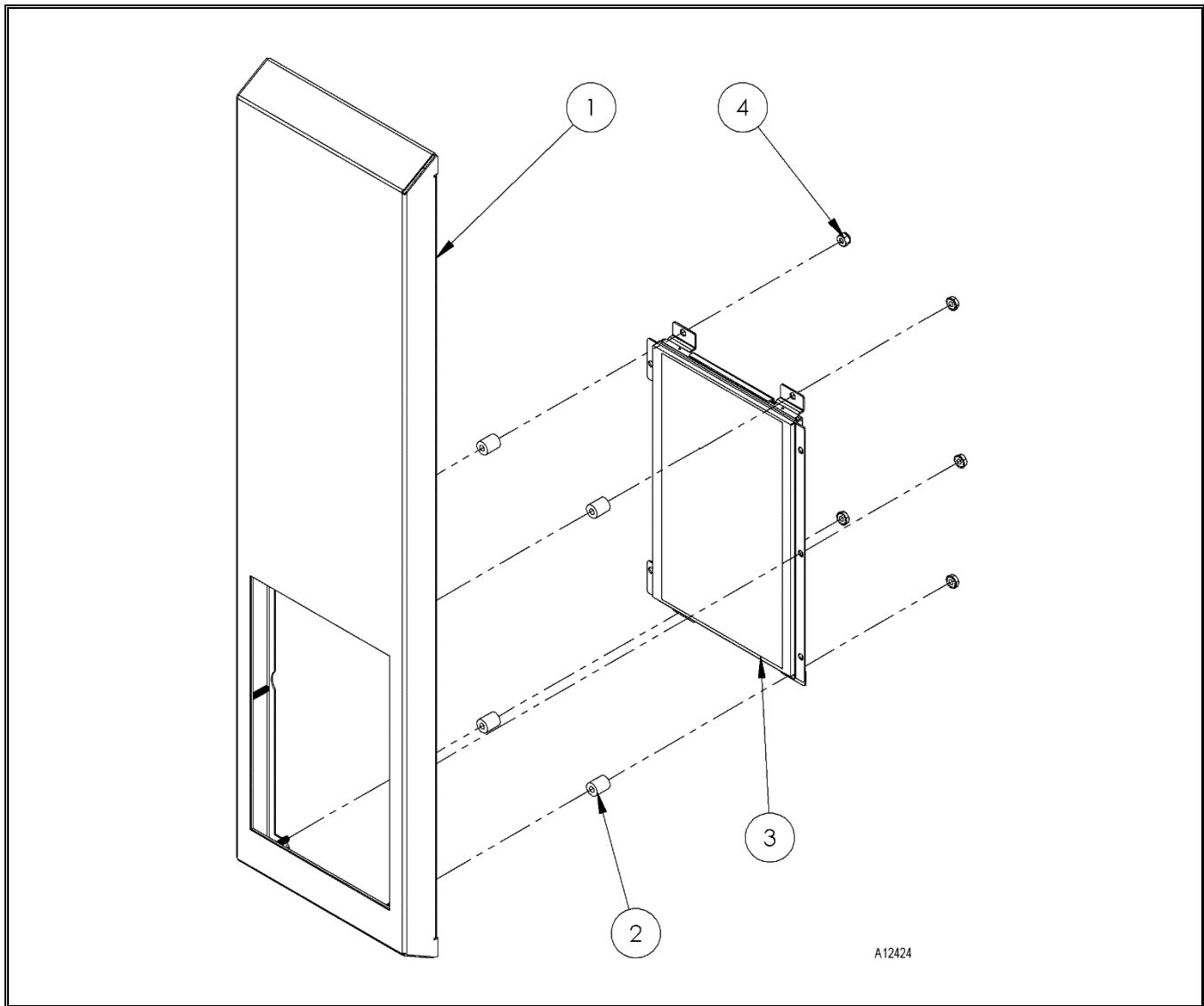
LIST OF PARTS NOT SHOWN

	1221086.400	1	1	1	BARCODE READER INSTALL	SEE PAGE #71
	1221667.400	1	1	1	FINGERPRINT READER INSTALL	SEE PAGE #70
	1221654.400	1	1	1	MAG-STRIPE READER INSTALL	SEE PAGE #72
	1220683.400	1	1	1	TOOL RETURN INSTALL	SEE PAGE #69
	SEE PAGE #3	AR	AR	-	DOOR ASSEMBLY PARTS (SD5000-R/SD3000-R)	
	SEE PAGE #42	-	-	AR	ELEVATOR DOOR ASSEMBLY PARTS (SD5000-E)	
	SEE PAGE #15	AR	AR	-	CABINET ASSEMBLY PARTS (SD5000-R/SD3000-R)	
	SEE PAGE #52	-	-	AR	ELEVATOR CABINET ASSEMBLY PARTS (SD5000-E)	

* SPECIFY COLOR

AR AS REQUIRED

10.1" TOUCHSCREEN INSTALLATION



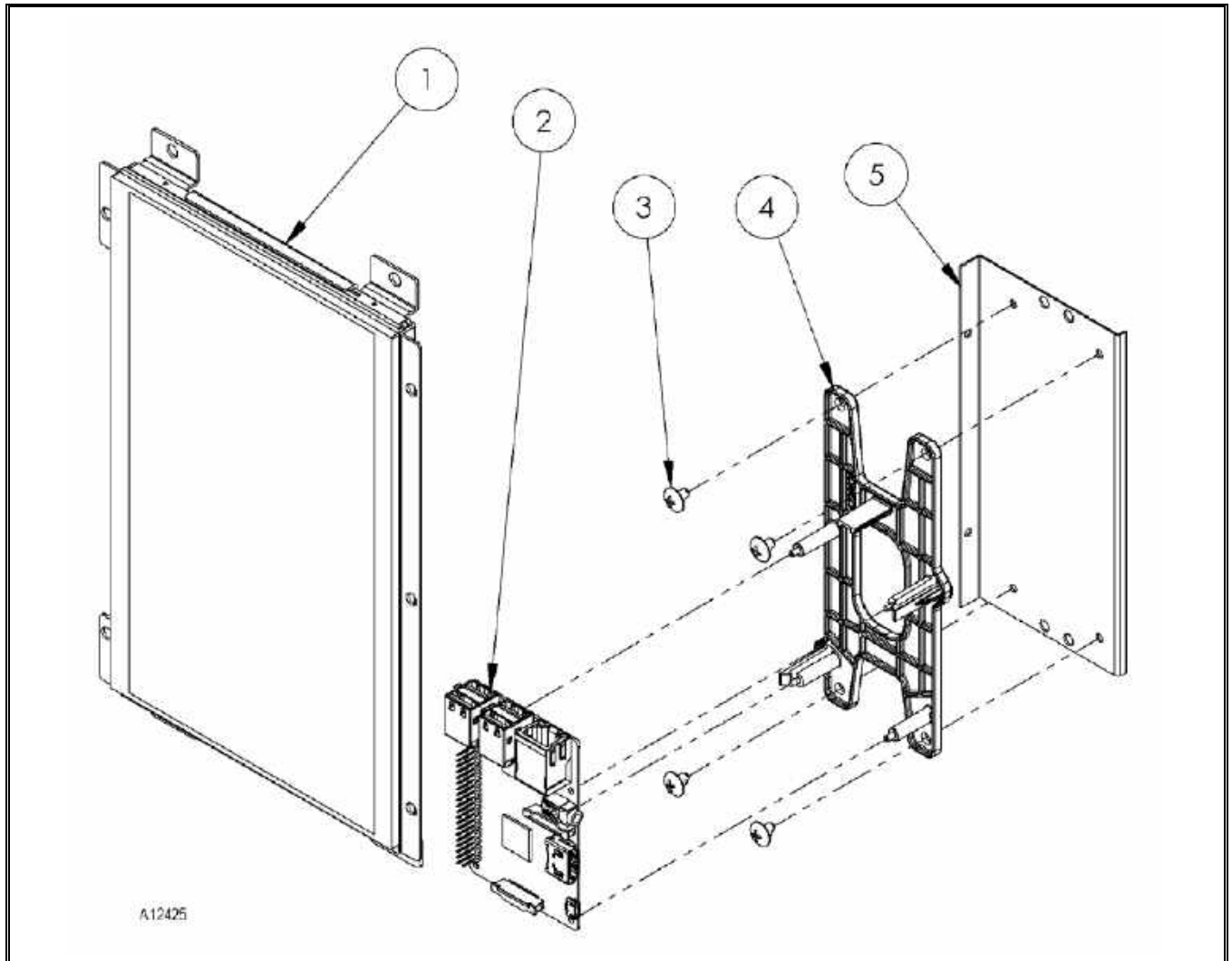
10.1" TOUCHSCREEN INSTALLATION PARTS LIST

ITEM NO.	PART NUMBER	3623/ 3624	3625/ 3626	3630/ 3630A	DESCRIPTION
1	1221554.000330	-	1	-	10.1" TOUCHSCREEN BEZEL WELD
2	4228364	1	1	1	SPACER-TOUCHSCREEN MOUNT
3	SEE PAGE #77	1	1	1	10.1" TOUCHSCREEN ELECTRONIC PACKAGE
4	8800956	5	5	5	#8-32 HEX NUT W/EXTERNAL TOOTH LOCK WASHER

* SPECIFY COLOR

AR AS REQUIRED

10.1" TOUCHSCREEN ELECTRONICS PACKAGE



10.1" TOUCHSCREEN ELECTRONICS PACKAGE PARTS LIST

ITEM NO.	PART NUMBER	3623/ 3624	3625/ 3626	3630/ 3630A	DESCRIPTION
1	1219843	1	1	1	10.1" TOUCHSCREEN ASSEMBLY
2	4225084	1	1	1	RASPBERRY PI 3 MODEL
3	4223603.001	4	4	4	8-32 PHILLIPS TRUSS HEAD TYPE T SCREW
4	4226628	1	1	1	RASPBERRY PI MOUNT
5	4227225.000330	1	1	1	RASPBERRY PI MOLDING MOUNT

LIST OF PARTS NOT SHOWN

4226157.***	1	1	1	MICRO SD CARD-16GB - *** SPECIFY IMAGE TYPE
4225195	1	1	1	SBC HDMI DISPLAY HARNESS
4225072	1	1	1	SBC SERIAL PORT HARNESS
4225196	1	1	1	SBC DISPLAY TOUCH HARNESS
4225078	1	1	1	SBC POWER HARNESS

* SPECIFY COLOR

AR AS REQUIRED

OPTIONAL SPIRALS

SINGLE SPIRAL - CCW PART NUMBER	DUAL SPIRAL - CW PART NUMBER	SPIRAL SIZE	SPIRAL COUNT	ESTIMATED PRODUCT SIZE INCHES (MM)
4200272.100309	4205532.100309	Candy	15	1.22 (31)
4200272.101309	4205532.101309	Candy	18	1.00 (25)
4200272.102309	4205532.102309	Candy	24	0.71 (18)
4200272.103309	4205532.103309	Candy	30	0.51 (13)
4200272.104309	4205532.104309	Candy	12	1.55 (39)
4200272.105309	4205532.105309	Candy	9	2.10 (53)
4200272.106309	4205532.106309	Candy	6	3.16 (80)
4200272.107309		Snack	10	1.89 (48)
4200272.108309		Snack	12	1.55 (39)
4200272.109309		Snack	15	1.22 (31)
4200272.110309		Snack	7	2.71 (69)
4200272.111309		Snack	8	2.37 (60)
4200272.131309	4205532.131309	Candy	10	1.89 (48)
4200272.132309	4205532.132309	Candy	11	1.72 (44)
4200272.133309		Snack	30	0.51 (13)
4200272.134309	4205532.134309	Snack	18	1.00 (25)
4200272.137309		Snack	11	1.72 (44)
4200272.138309		Snack	6	3.16 (80)
4200272.139309		Snack	5	3.50 (89)
4200272.140309		Snack	12	1.63 (41)
4200272.141309		Candy	29 1/2	0.52 (13)
4200272.142309	4205532.142309	Candy	8	2.37 (60)
4200272.143309	-	Candy	30	.51 (13)
4200272.145309	4205532.145309	Candy	5	3.50 (89)
4200272.147309	4205532.147309	Candy	4	4.38 (111)
4200272.148309	4205532.148309	Candy	3	5.80 (147)
4200272.153309	4205532.153309	Candy	7	2.71 (69)
4202313.100309		G&M	18/36	1.00 (25)
4202313.102309		G&M	24/48	0.71 (18)
4202313.103309		G&M	30/60	0.50 (13)
4202313.104309		G&M	24/48	0.71 (18)
4202313.105309		G&M	18/36	1.00 (25)
4202313.106309		G&M	15/30	1.22 (31)
4202313.107309		G&M	20/40	0.86 (22)
4202313.108309		G&M	12/24	1.55 (39)

* SPECIFY COLOR

AR AS REQUIRED

OPTIONAL PRICE SCROLLS

PRICE SCROLL PART NUMBER	SCROLL PRICE RANGE	COUNTRY
4217475.001	FREE AND .40 TO 2.35 (.05 INCREMENTS)	USA
4217475.002	1.5 TO 21.5 (.50 INCREMENTS)	MEXICO
4217475.003	.25 TO 10.25 (.25 INCREMENTS)	USA
4217475.004	1000 TO 3000 (50 INCREMENTS)	VENEZUELA
4217475.005	3000 TO 5000 (50 INCREMENTS)	VENEZUELA
4217475.006	FREE AND 2.40 TO 6.30 (10 INCREMENTS)	AUSTRALIA
421775.007	1.80 TO 3.00 (.05 INCREMENTS) 3.00 TO 4.60 (.10 INCREMENTS)	USA

* SPECIFY COLOR

AR AS REQUIRED

NOTES

The contents of this publication are presented for informational purposes only, and while every effort has been made to ensure their accuracy, they are not to be construed as warranties or guarantees, express or implied, regarding the products or services described herein or their use or applicability. We reserve the right to modify or improve the designs or specifications of such products at any time without notice.



VendNet™

8040 University Boulevard
Des Moines, IOWA 50235
United States of America



	USA & Canada	International
Service	(800) 833-4411	(515) 274-3641
Parts	(888) 259-9965	
Email	vendnet@vendnetusa.com	
Web Site	www.vendnetusa.com	